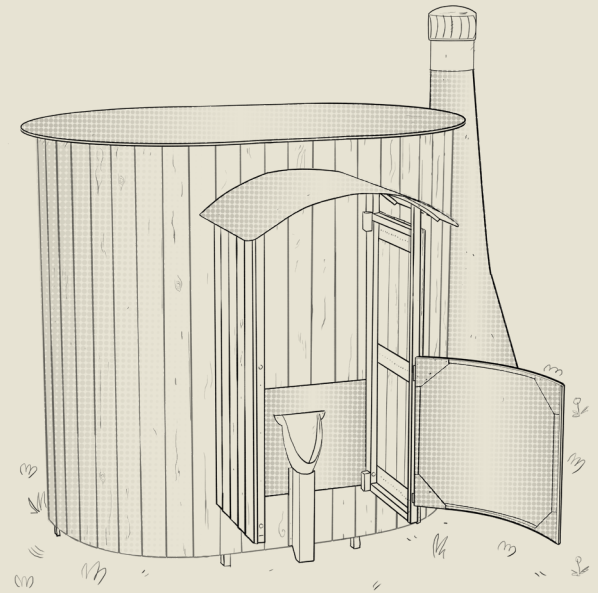




# KAZŪBA

ECOLOGICAL TOILETS

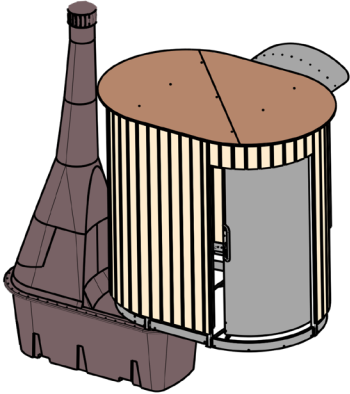
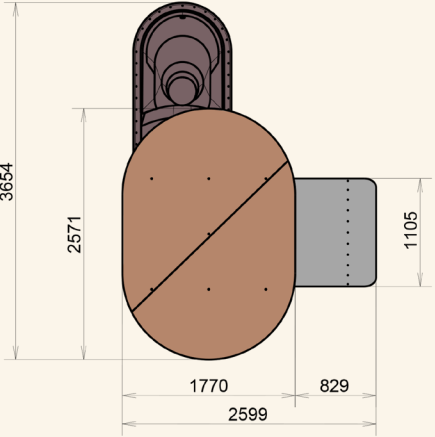
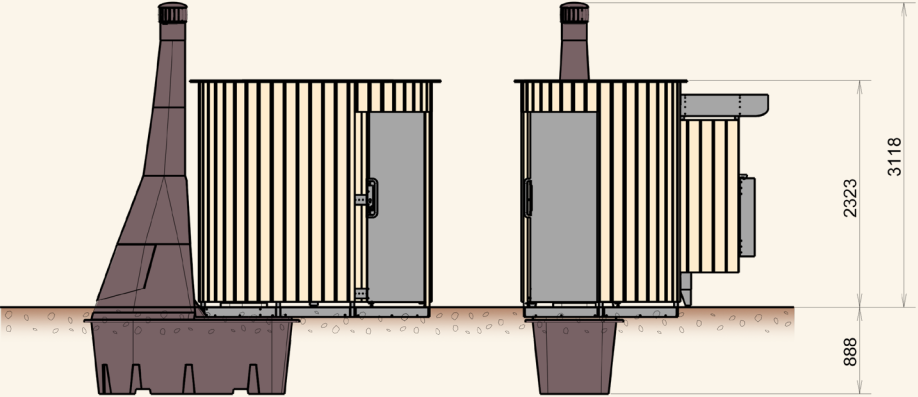


**Assembling  
the urinal module**

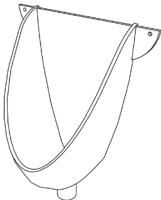
# Summary

• Summary .....	2
• Dimensions .....	3
• Package content .....	4
• Tooling .....	5
• Preparing the tank - 1 .....	6
• Preparing the tank - 2 .....	7
• Fixing the roof .....	8
• Rear panel .....	9
• Urinal .....	10
• Hang the urinal on the KL2 PMR -1 .....	11
• Hang the urinal on the KL2 PMR -2 .....	12
• Connecting the urinal to the tank .....	13
• Siphon cover .....	14
• The Cladding .....	15
• The door - Hinges .....	16
• The door - Rubber seal .....	17
• Final aspect .....	18

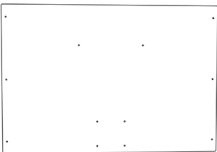
# Dimensions



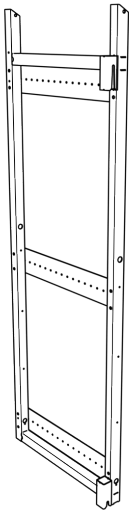
# Package content



urinal



rear panel



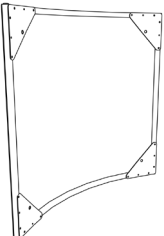
uprights (x2)



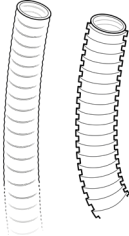
roof



cladding slats (x10)



door



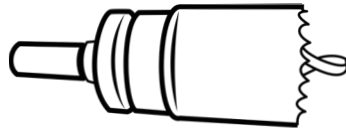
spiral hose + sheath



siphon cover

# Tooling

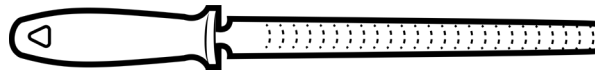
Hole saw 40 mm



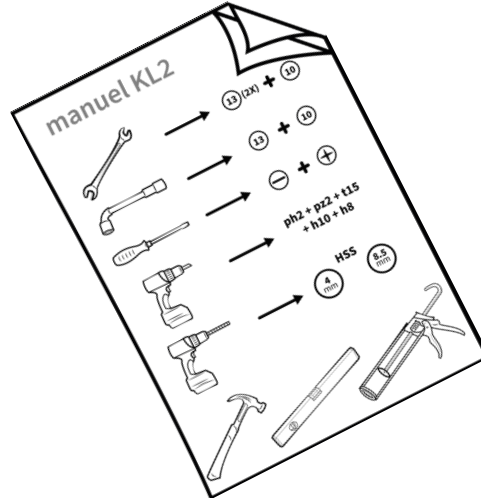
Wrench (19)



Wood rasp

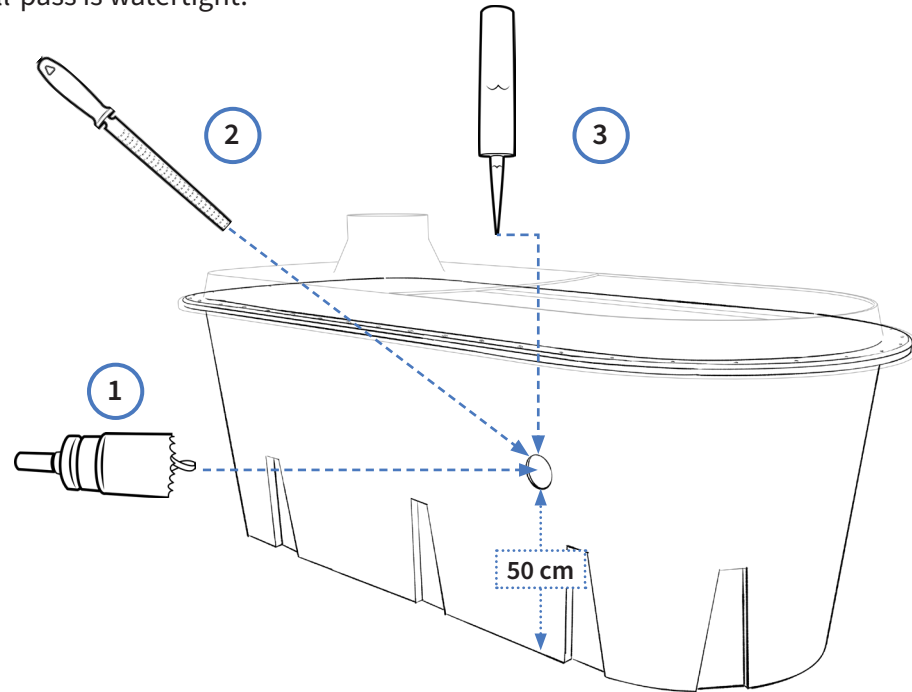
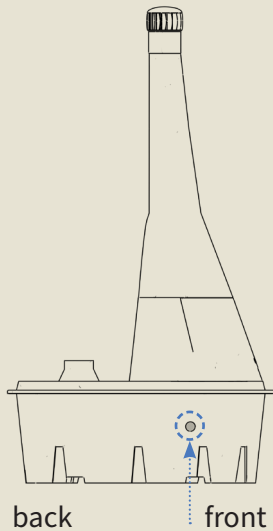


KL2 Tooling  
refer to KL2 manual, page 2



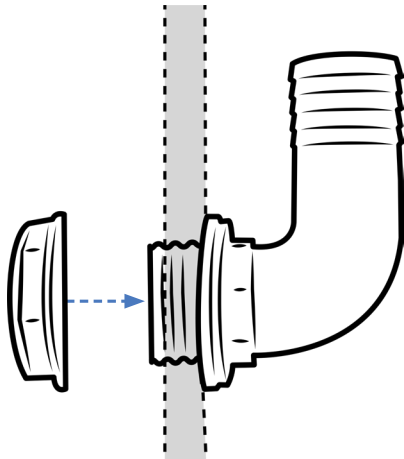
# Preparing the tank - 1

- 1 - At the front and on the side where the urinal will be, drill a hole at 50cm from the bottom of the tank using the hole saw.
- 2 - Deburring with the wood rasp.
- 3 - On the inside, apply sealant around the hole to ensure the wall-pass is watertight.

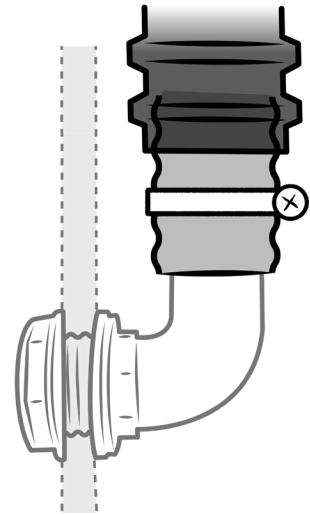


# Preparing the tank - 2

Insert and screw the tank connector elbow into the hole.

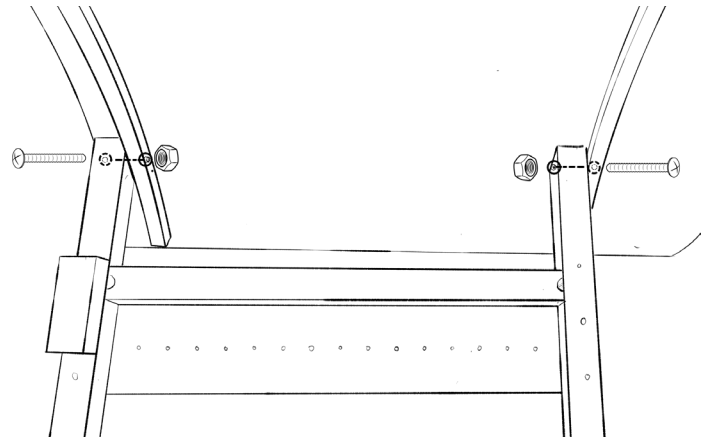
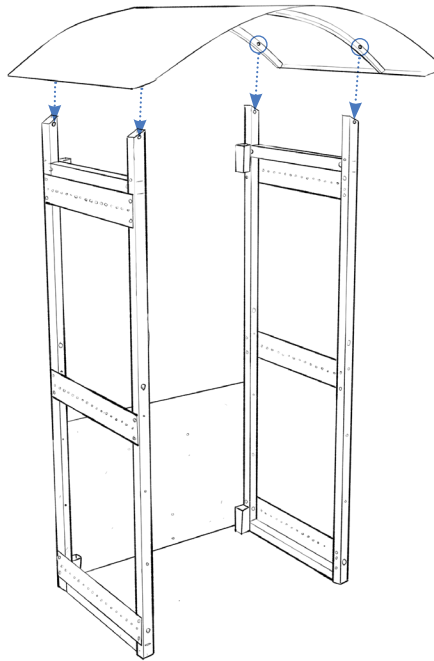


Connect the spiral hose and use a clamp to secure the connection. Slip on the sheath on the spiral hose.



# Fixing the roof

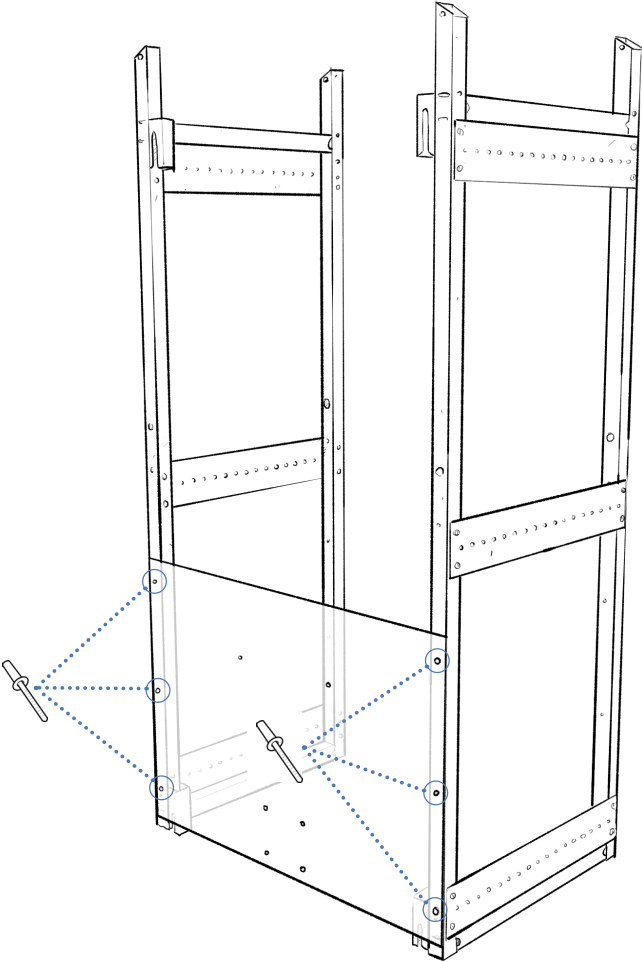
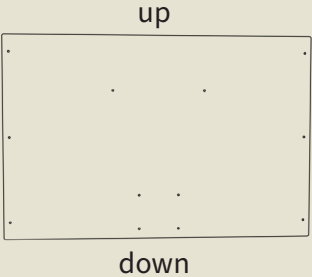
Bolt the roof to the uprights.





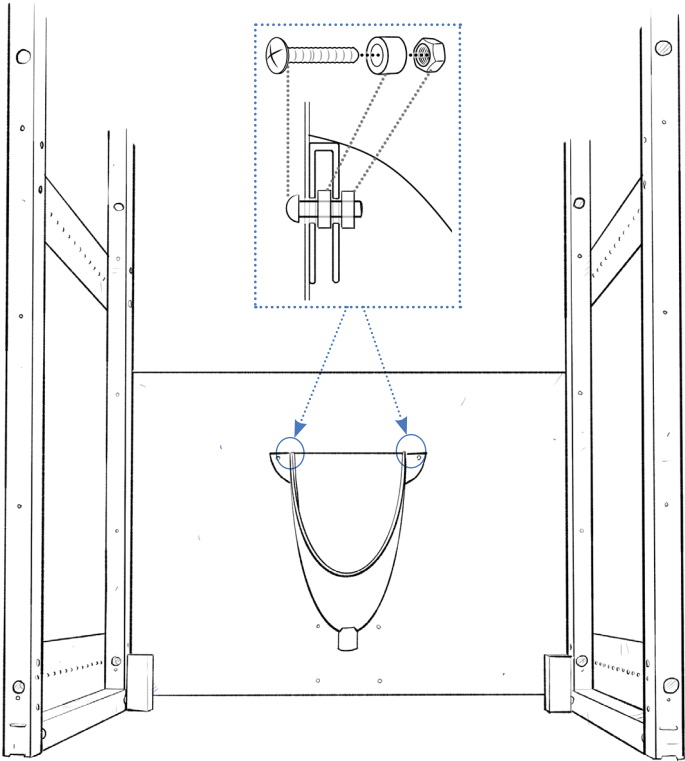
# Rear panel

Rivet the stainless steel rear panel to the uprights.

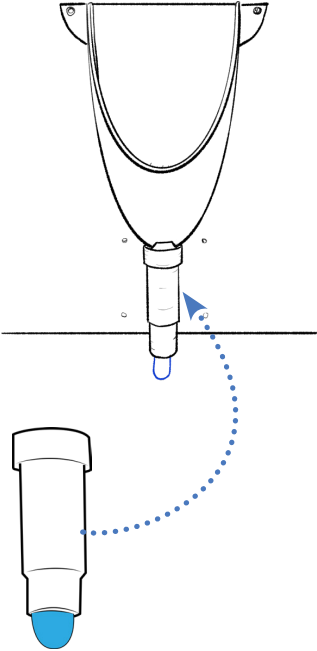


# Urinal

Screw the urinal onto the rear panel.



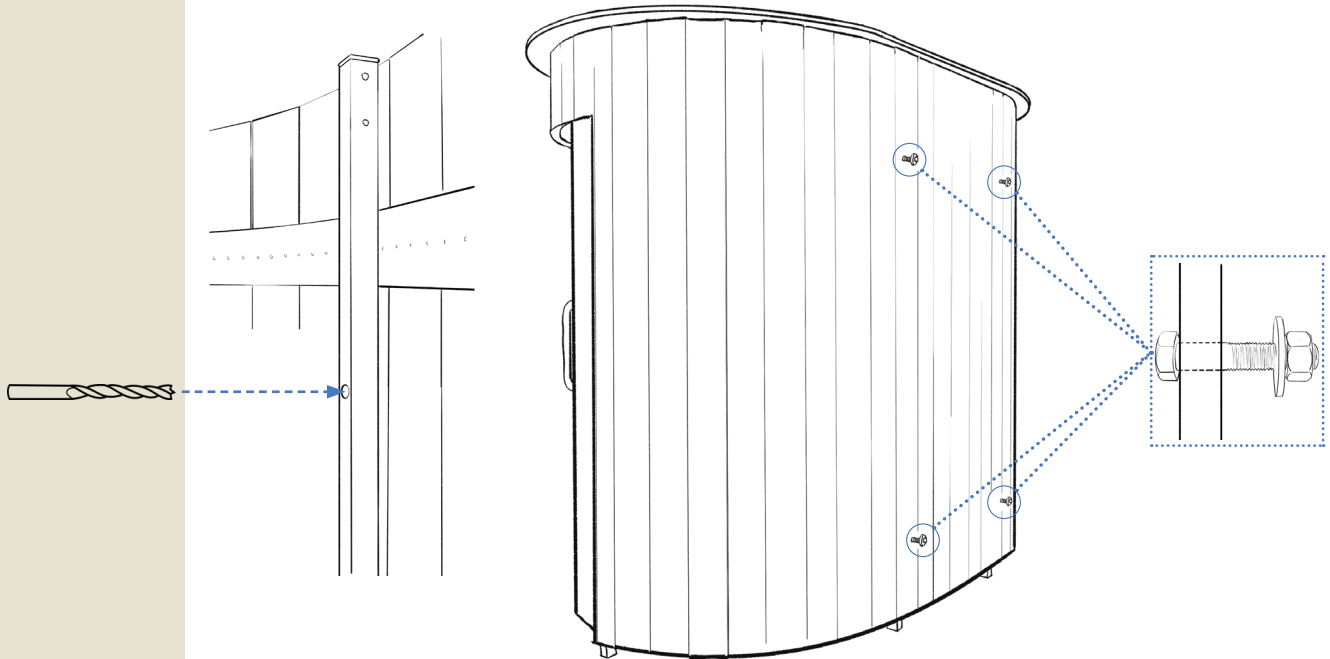
Fit the odour trap to the urinal outlet.



# Hang the urinal on the KL2 PMR -1

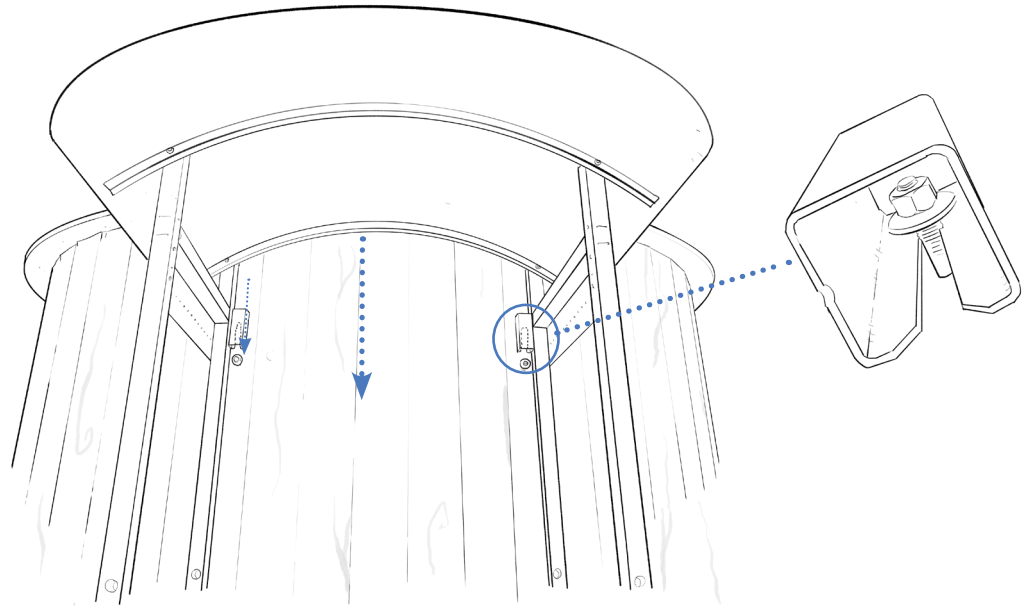
From inside the KL2 PMR drill holes in the cladding using the holes in the uprights.

Prepare the connection screws without tightening them.



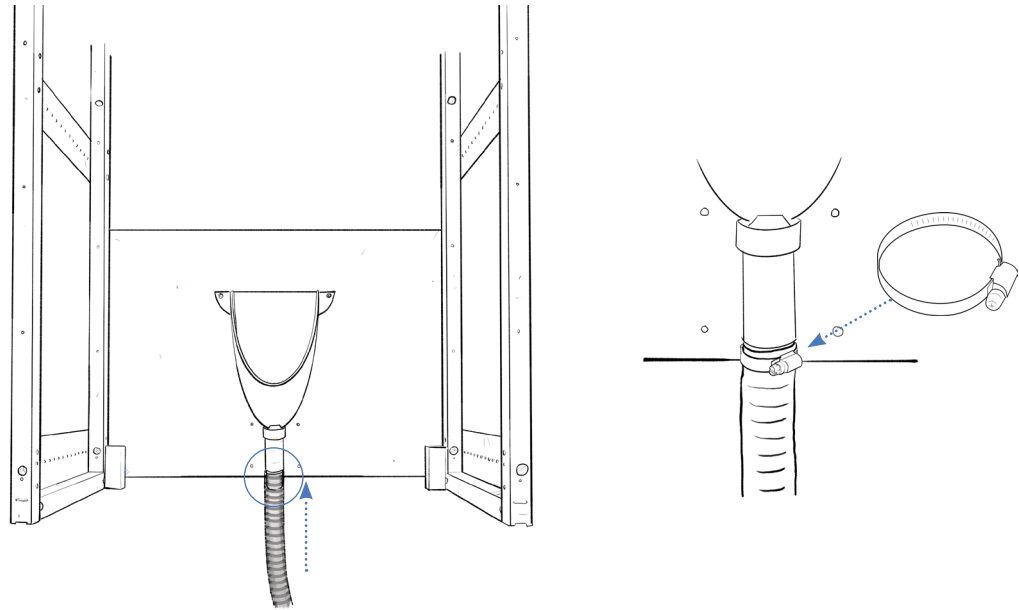
# Hang the urinal on the KL2 PMR -2

Slide the urinal module into place by passing the screws through the notches in the uprights, then tighten the screws.



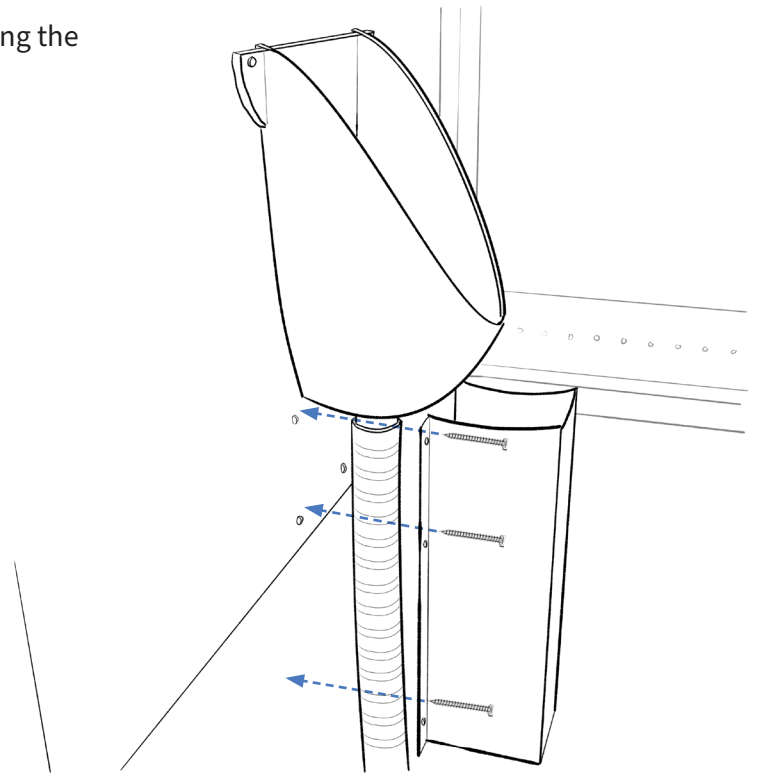
# Connecting the urinal to the tank

Connect the spiral hose to the urinal trap and secure the connection with a clamp.



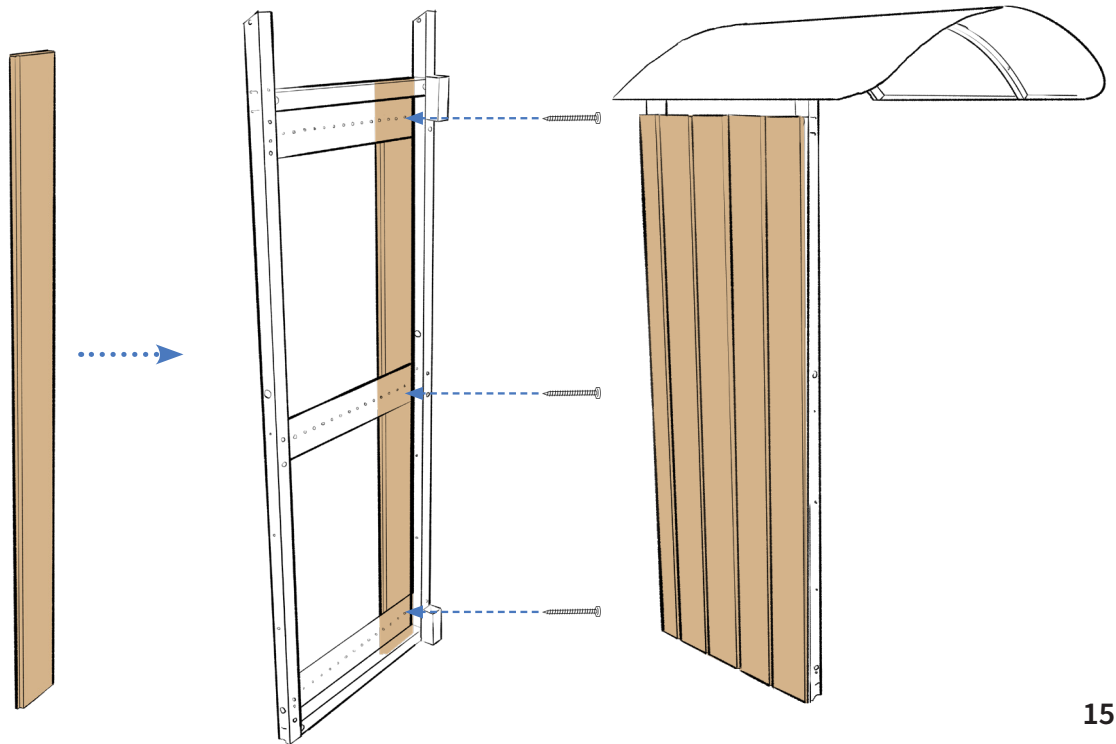
# Siphon cover

Screw on the siphon cover using the lower holes in the rear panel.



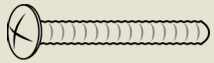
# The Cladding

Screw the cladding onto the perforated strips and repeat the operation on the other upright.

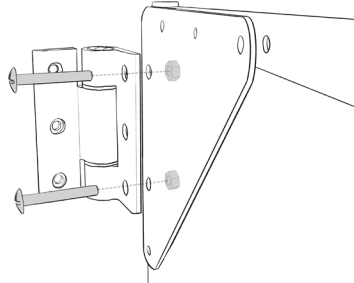


# The door - Hinges

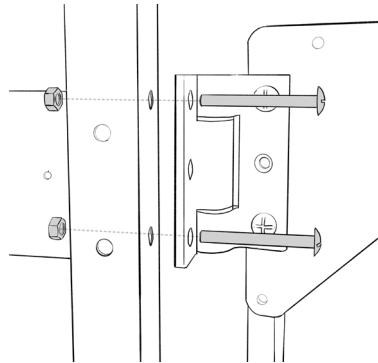
8 Screws (6x60)



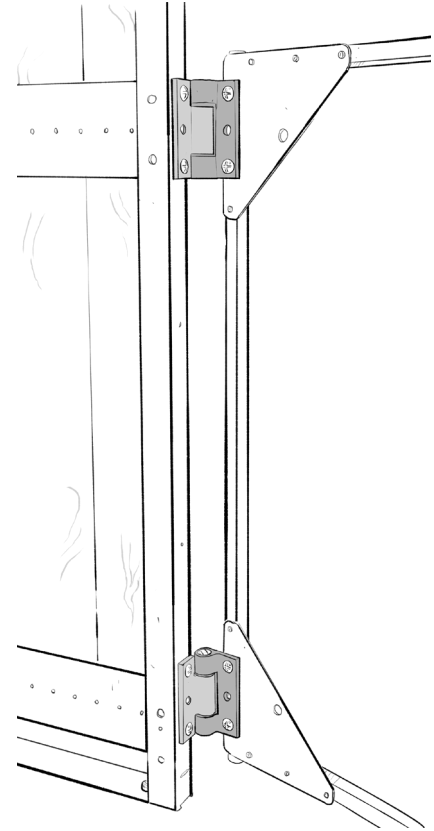
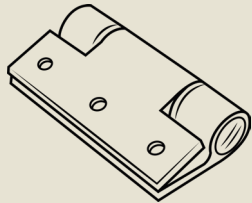
Screw the hinges onto the door...



... and then onto the upright.

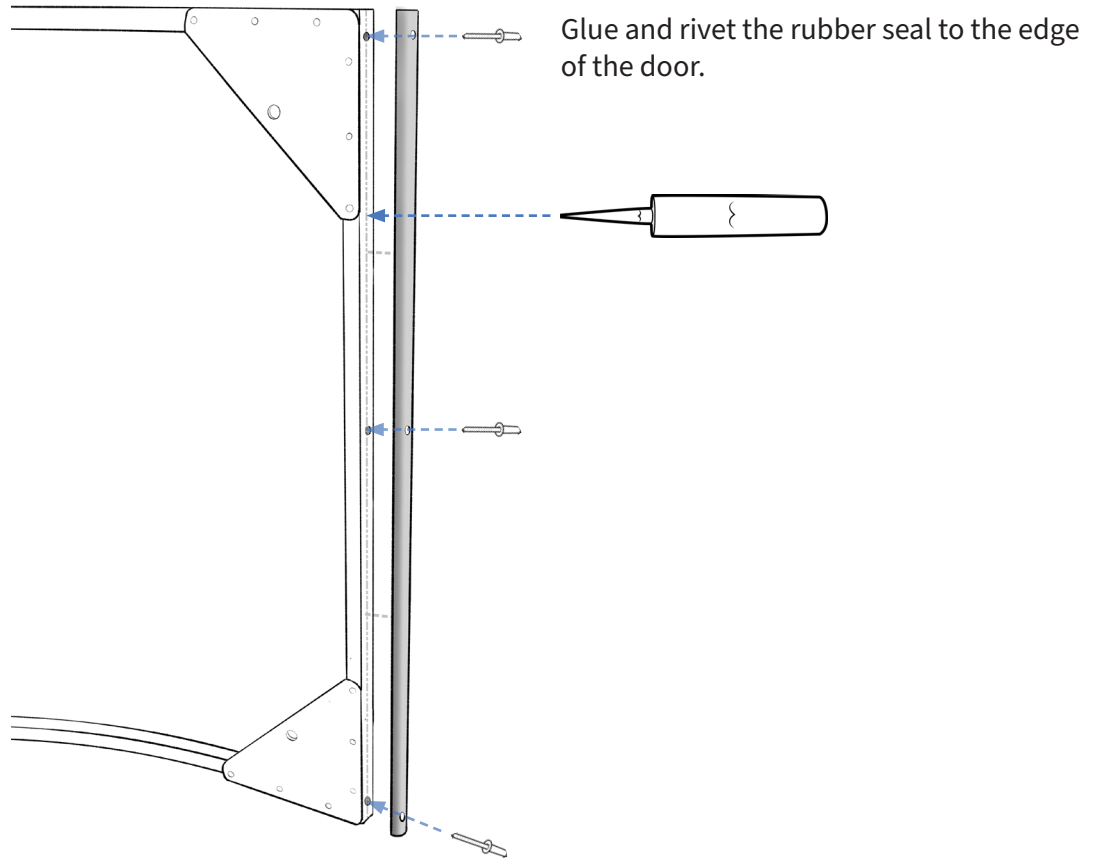


2 Hinges





# The door - Rubber seal



# Final aspect

