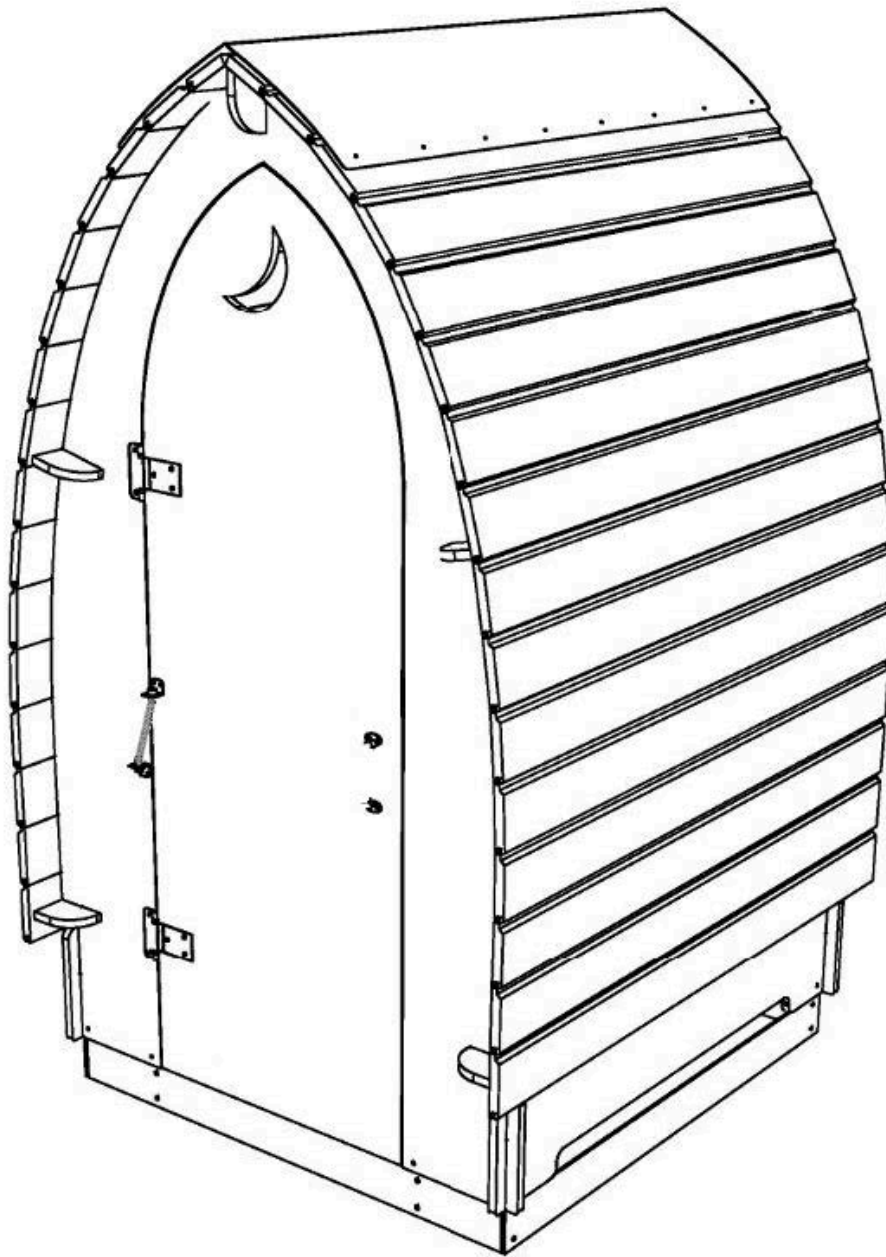
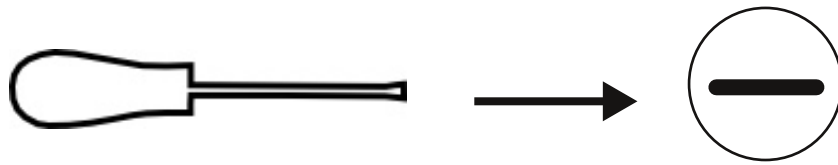
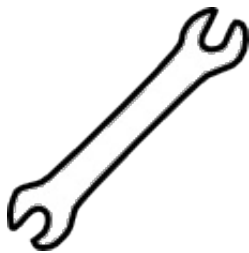


CABINE KL1-STN.08.04





+

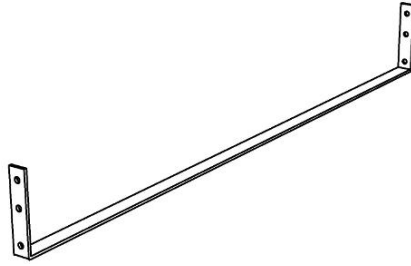
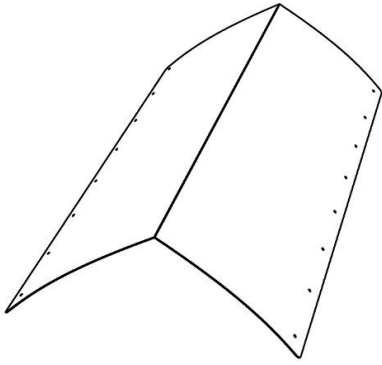
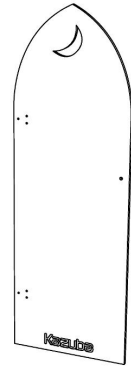
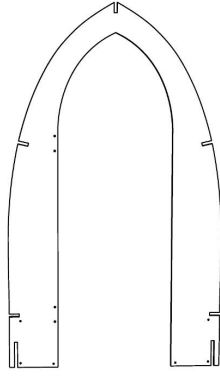
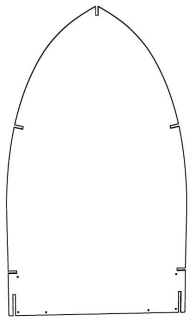


→ 13 + 13

+



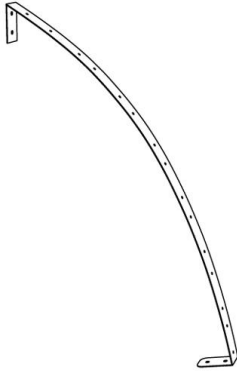
→ ph2 + pz2 + t10  
+ t15



x 2



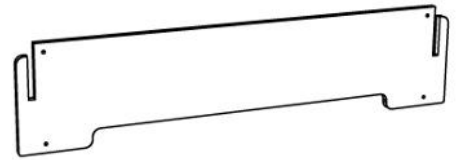
x 4



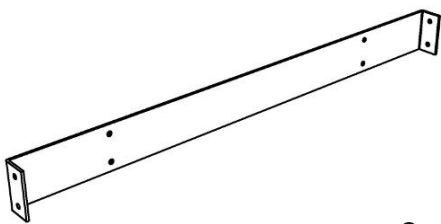
x 4



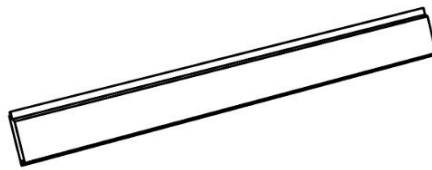
x 4



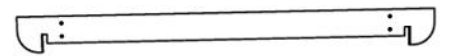
x 2



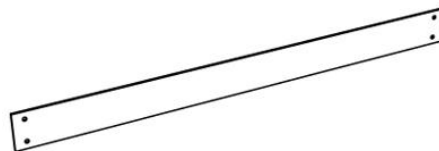
x 2






x 32

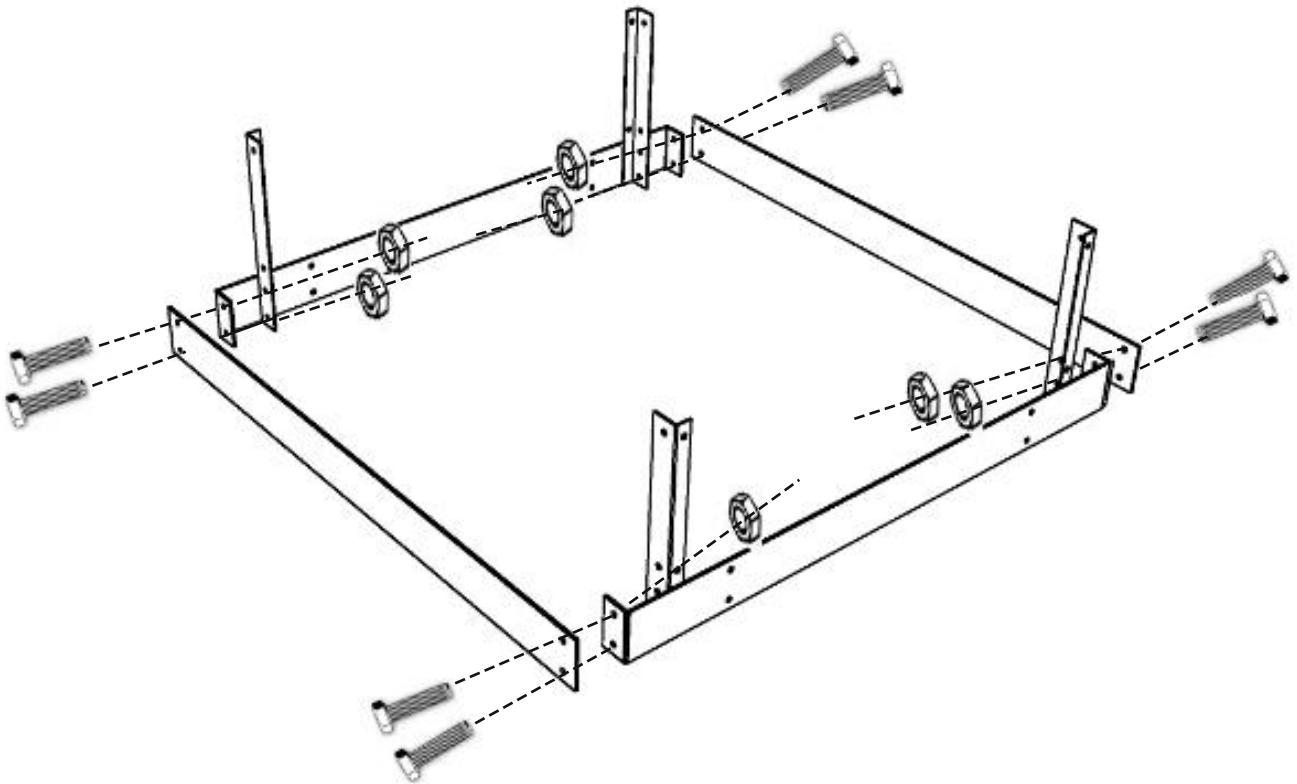



x 5

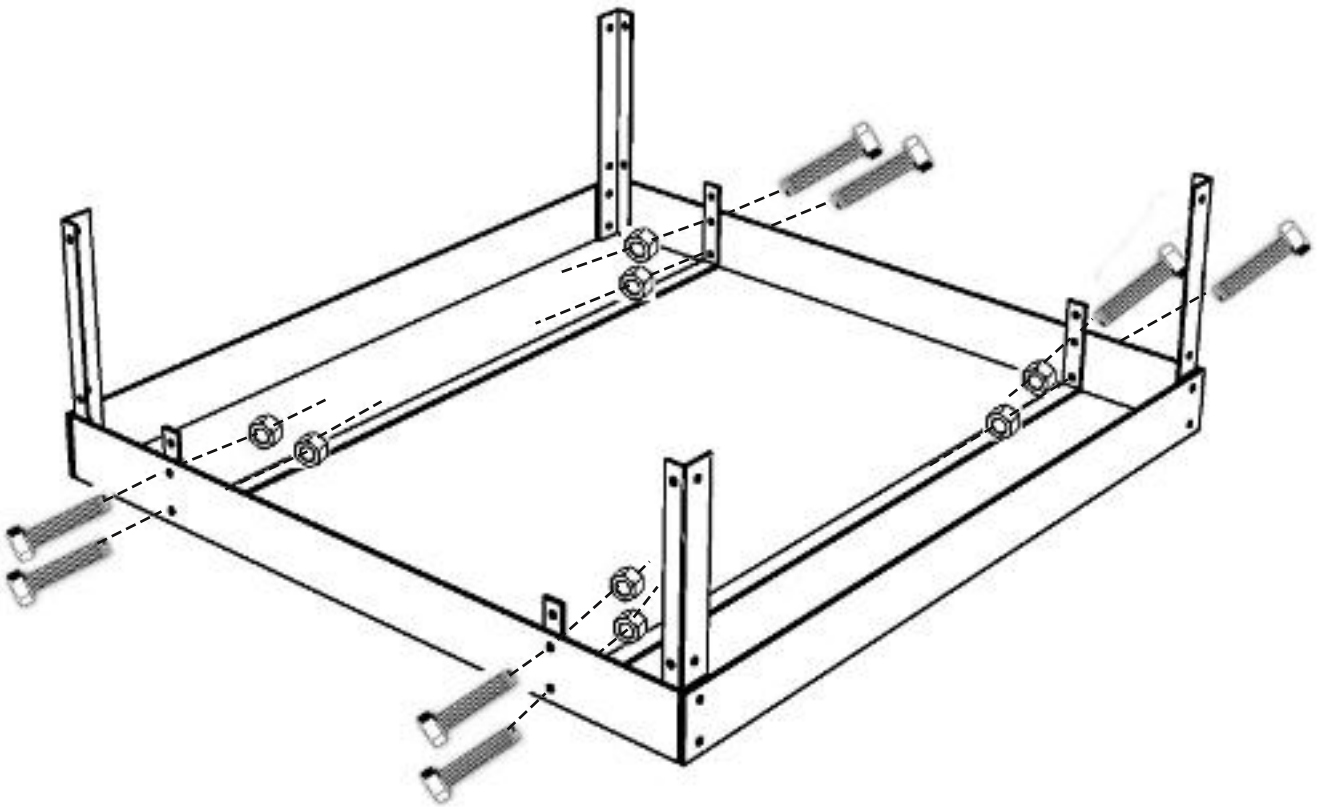



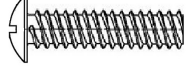
x 2

		16			
		16			
<b>1</b>					



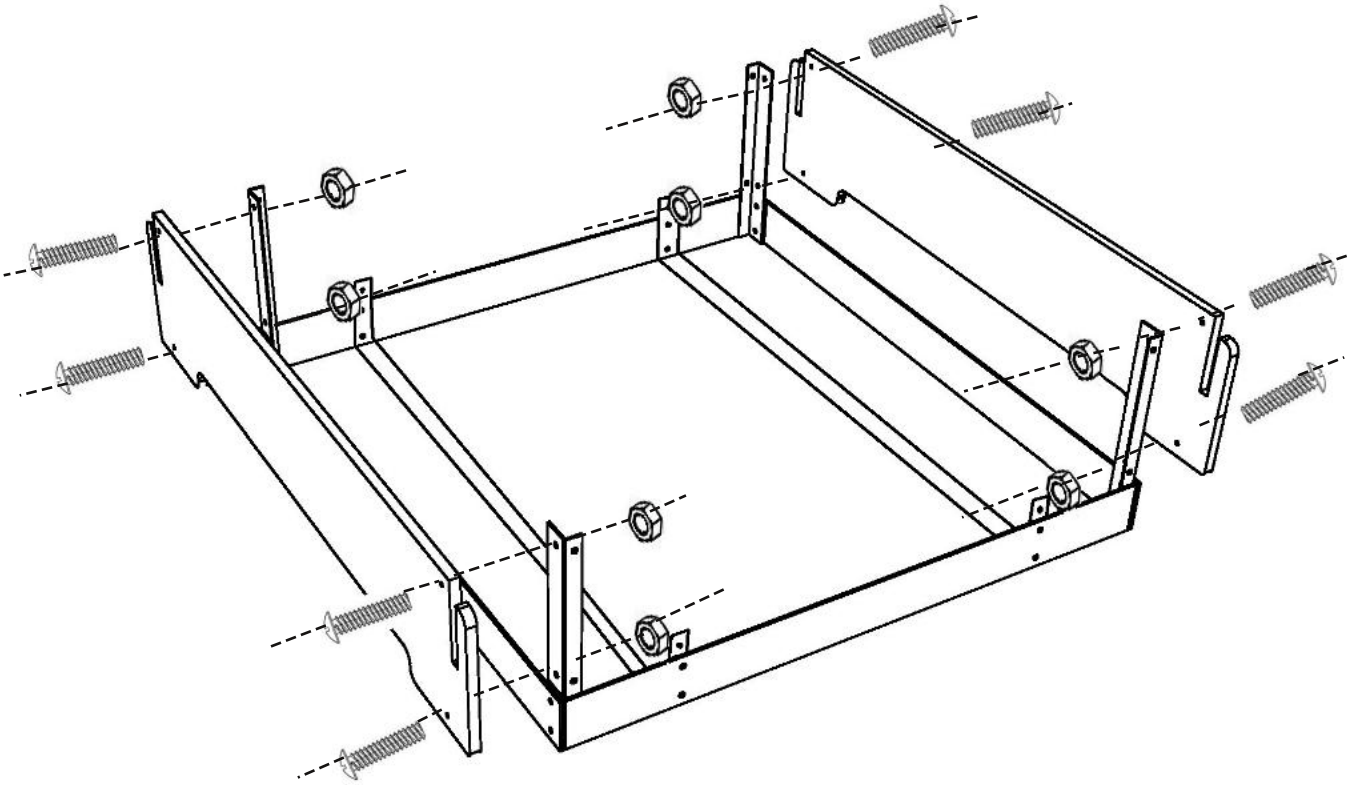
		16			
		16			
<b>1</b>					

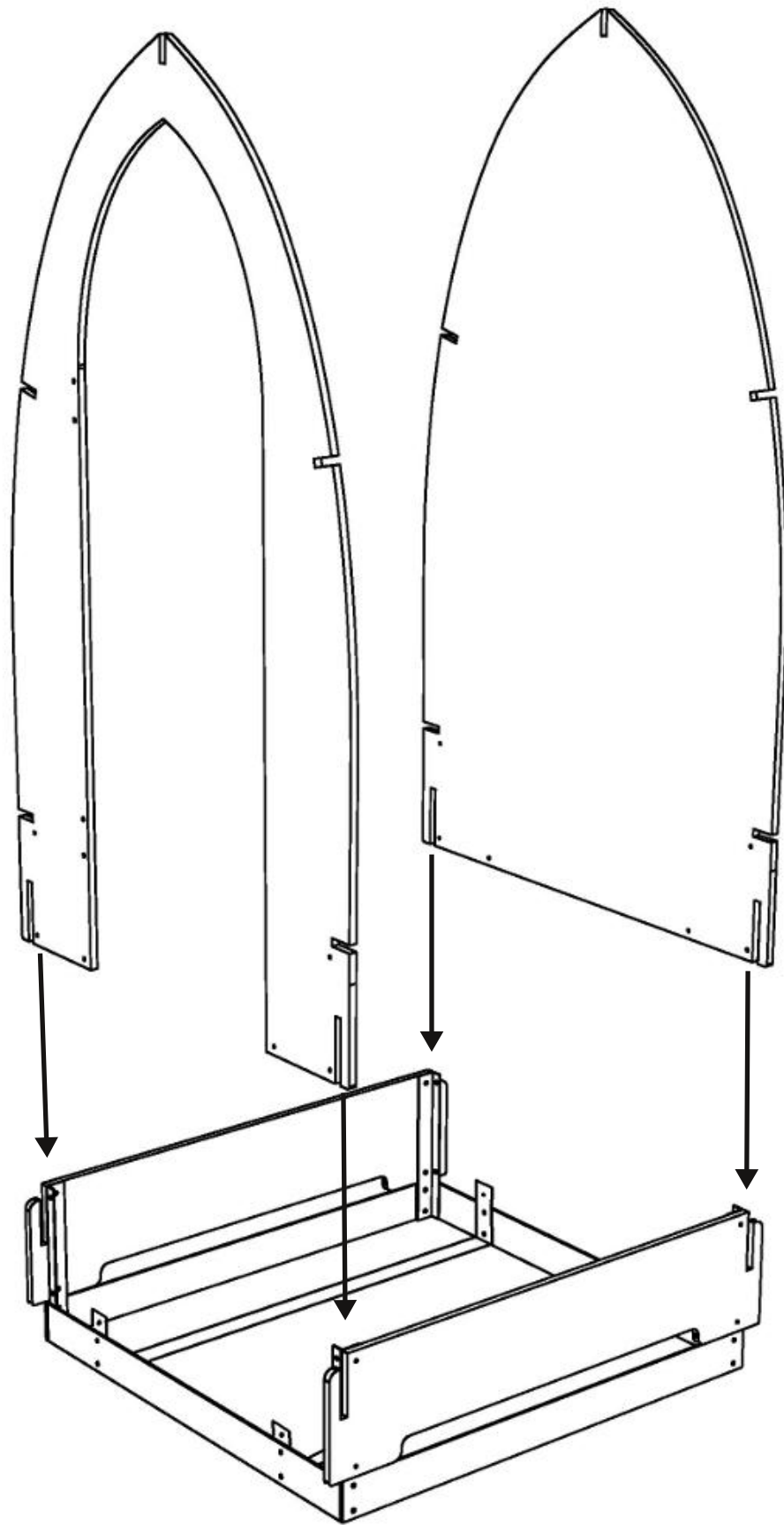


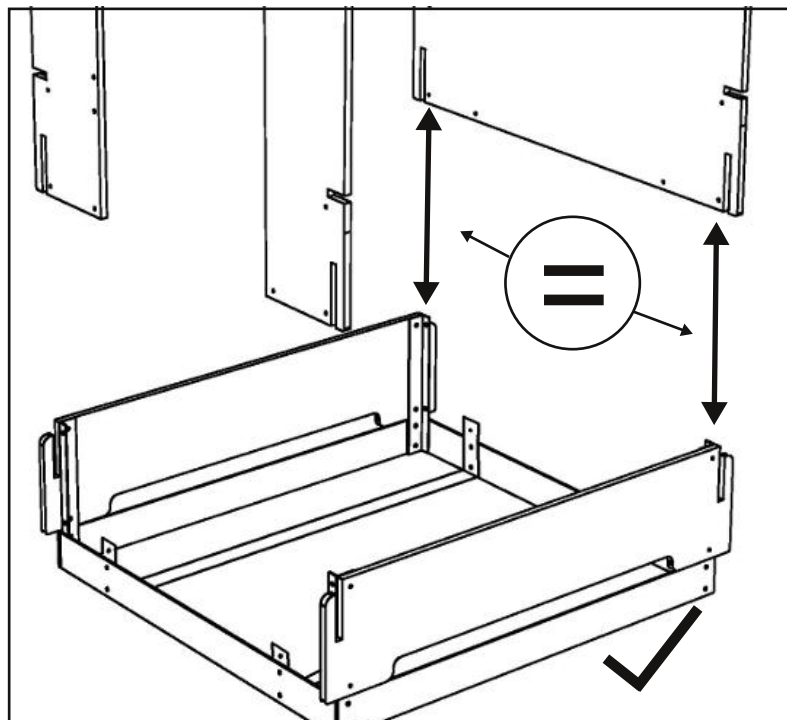
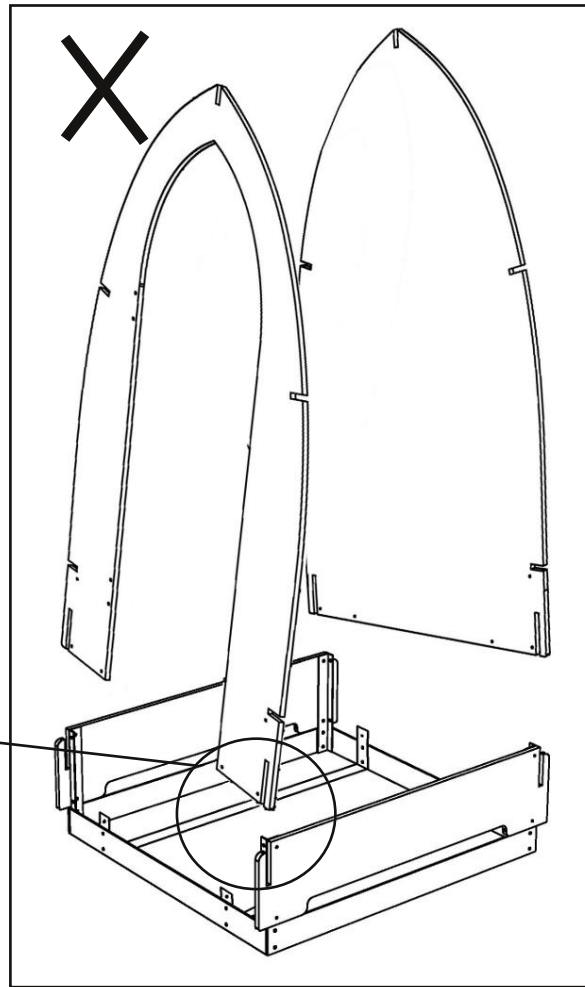
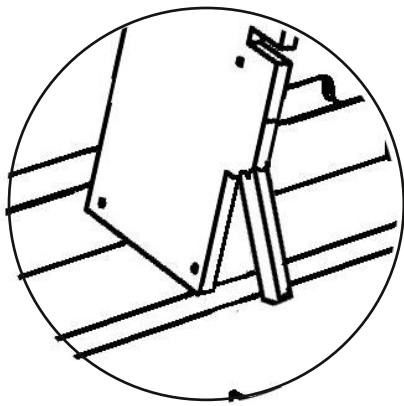
		20			
		20			
2					


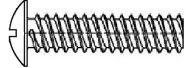

 x 8

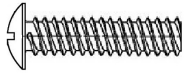
 x 8



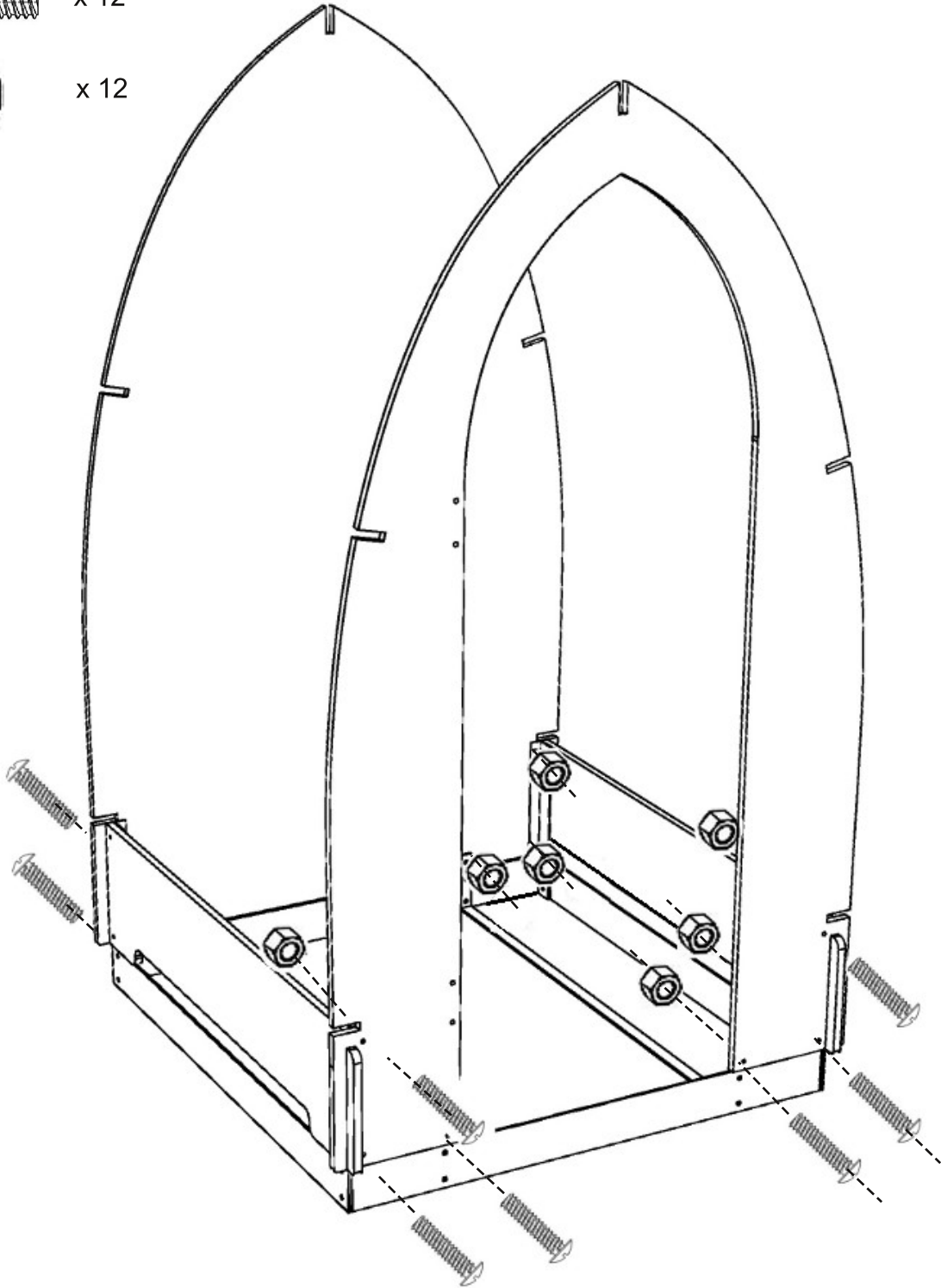


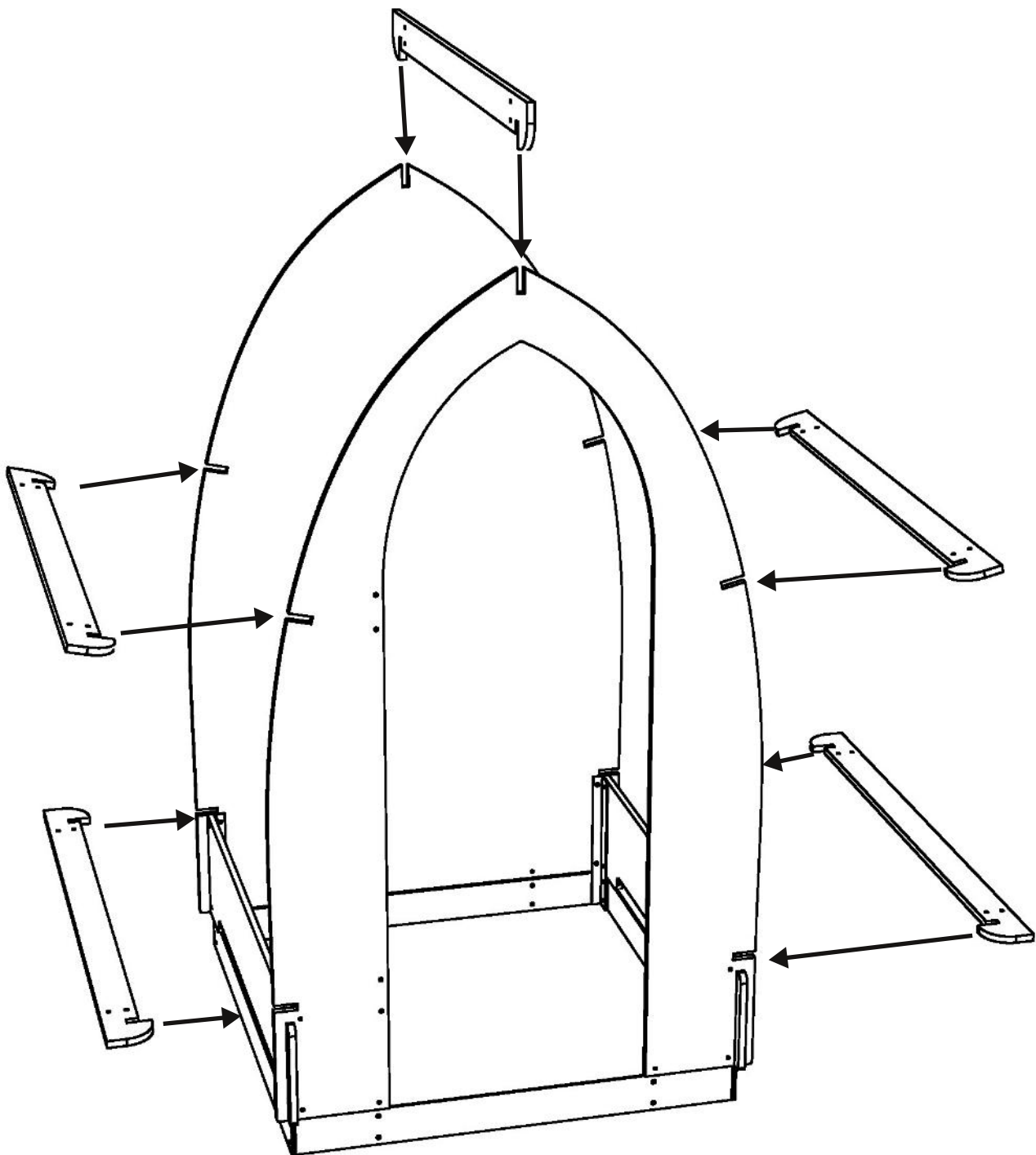



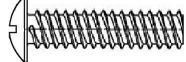

		20			
		20			
<h1>2</h1>					

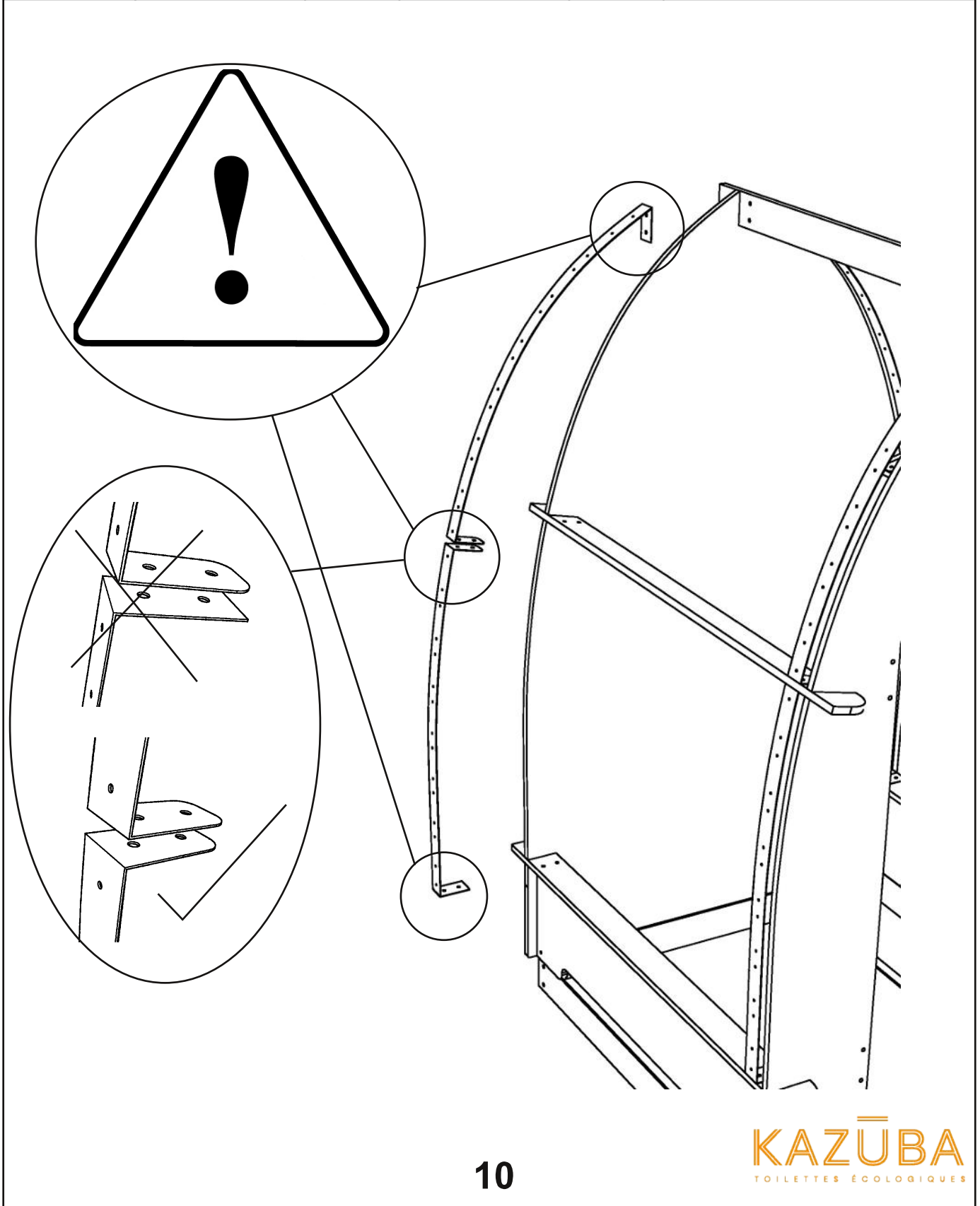
 x 12


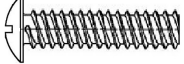


 x 12

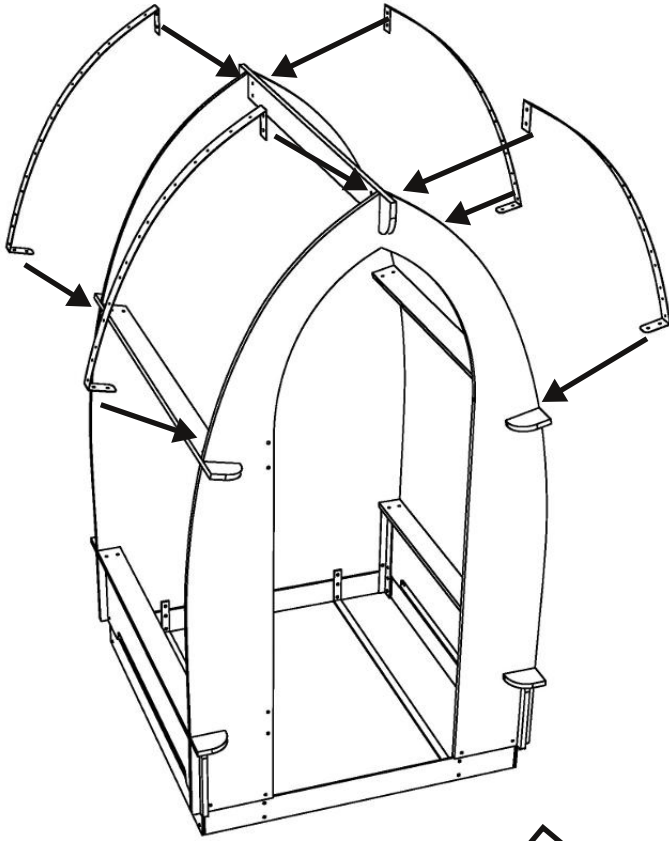




		16			
		20			
<b>3</b>		4			

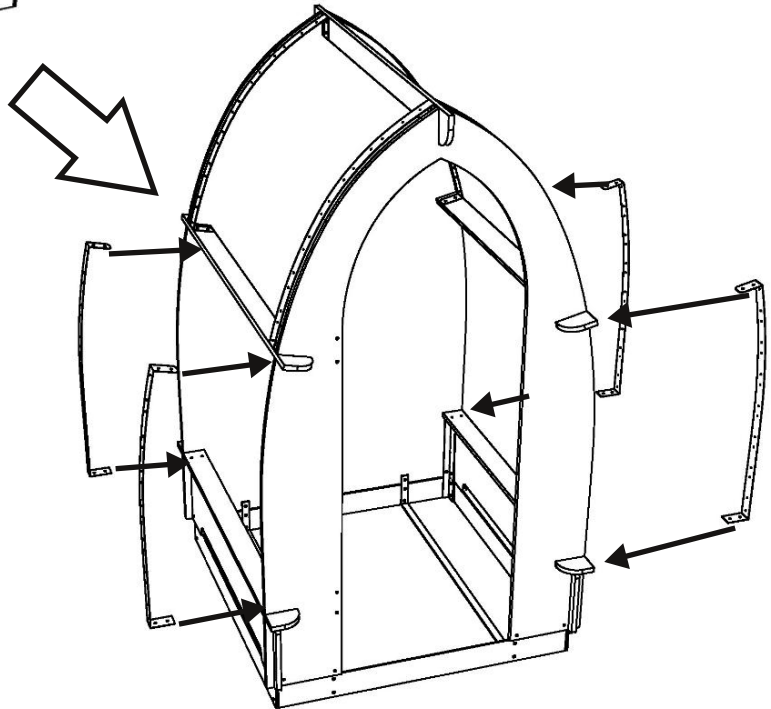


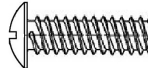


		16			
		20			
<b>3</b>		4			

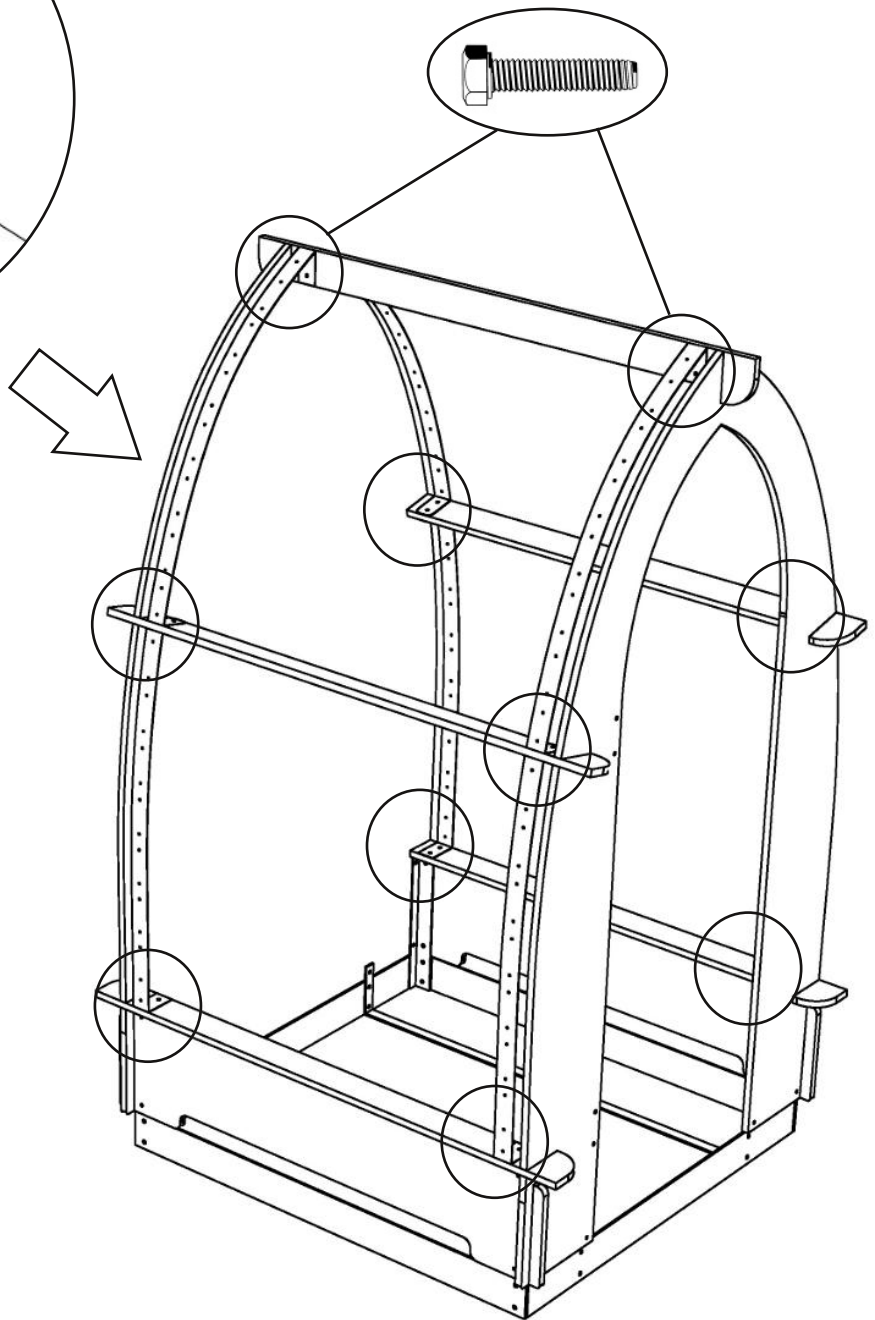
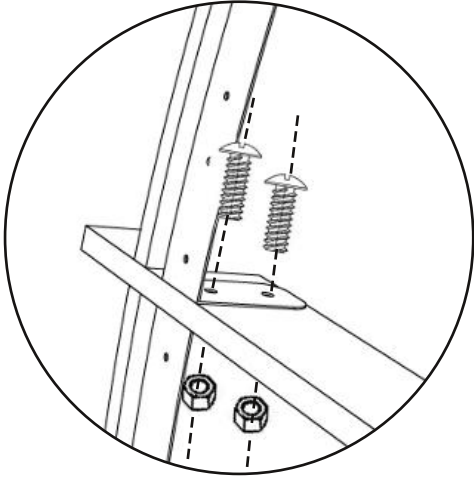


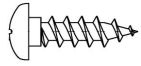
**1**

**2**



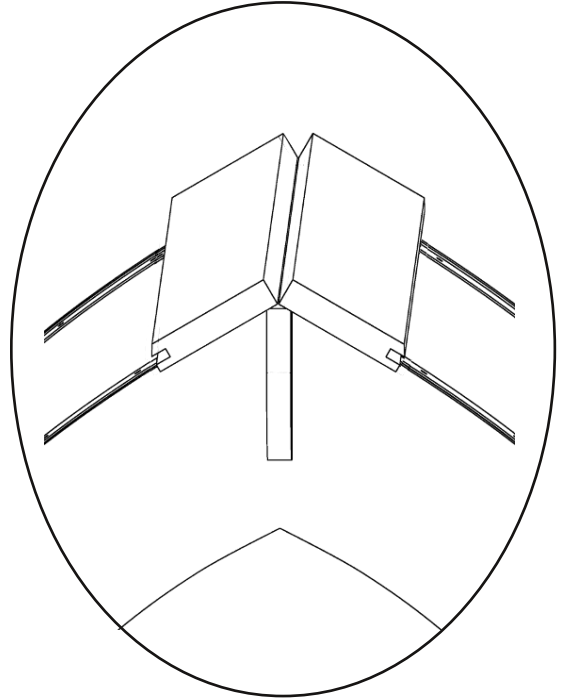
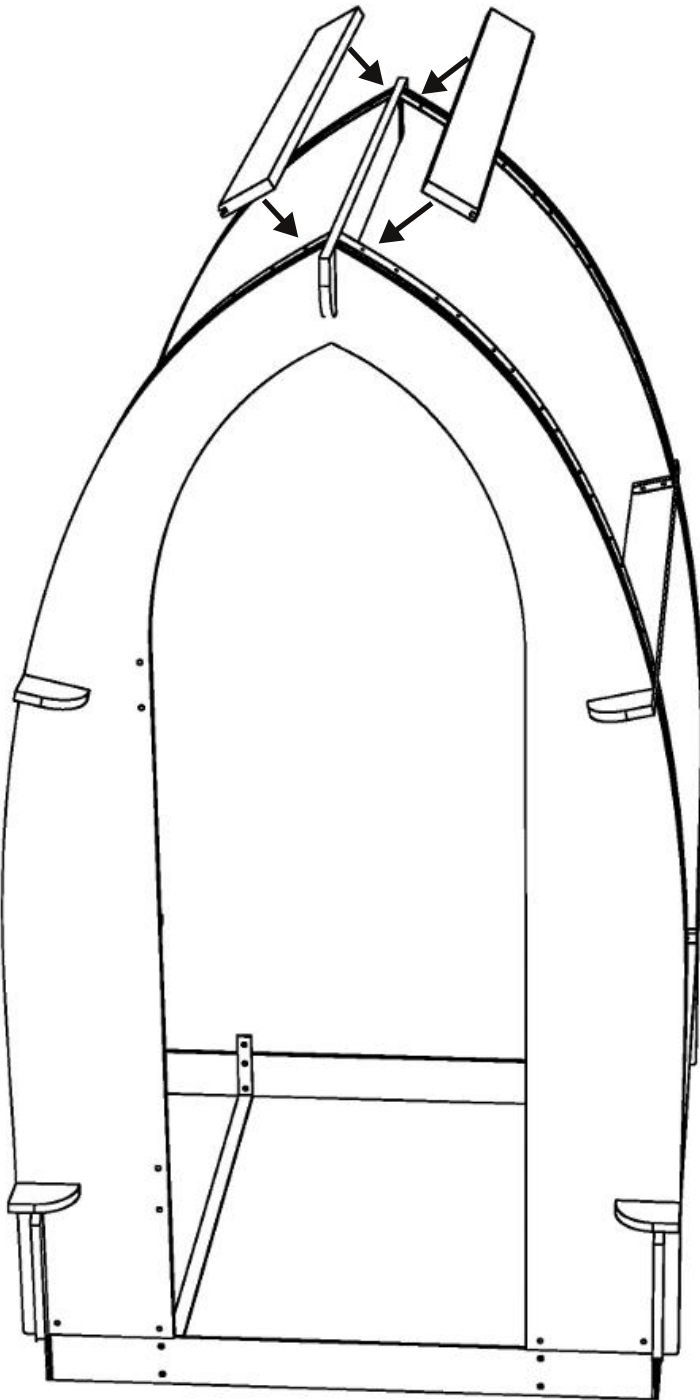
		16			
		20			
<b>3</b>		4			



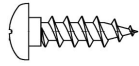


124

4

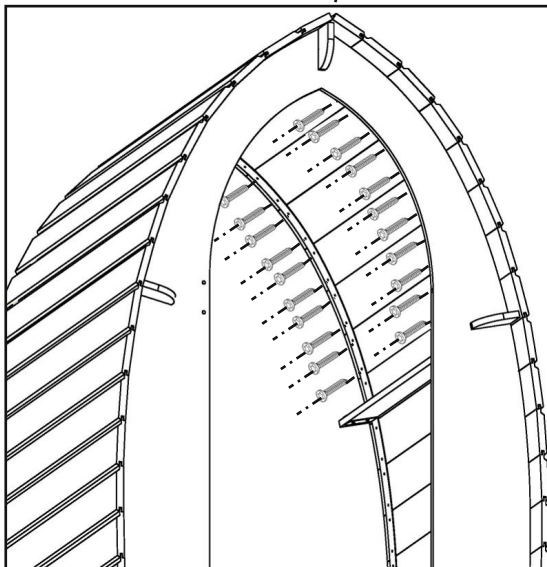
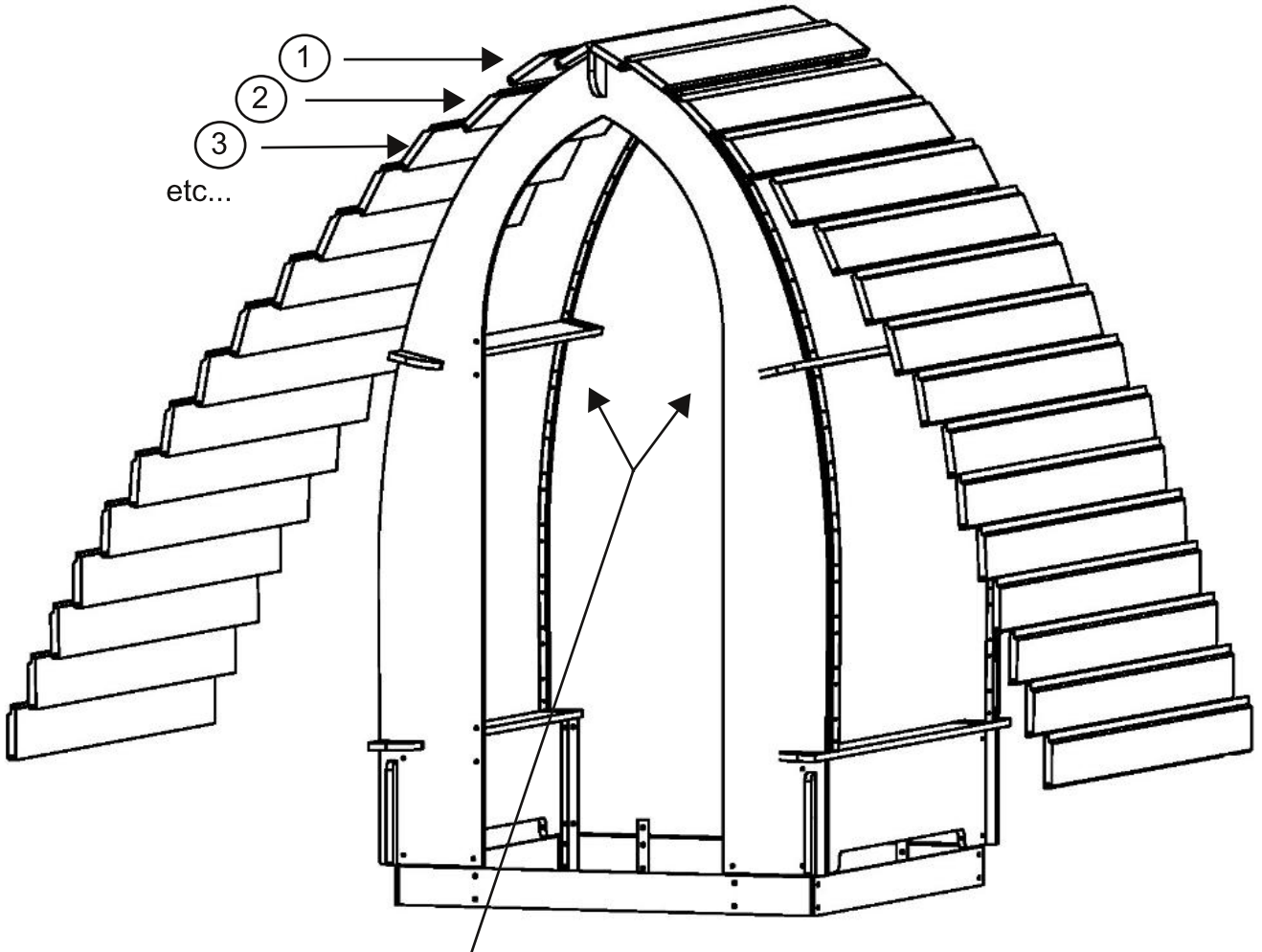


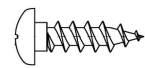
13


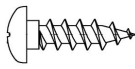



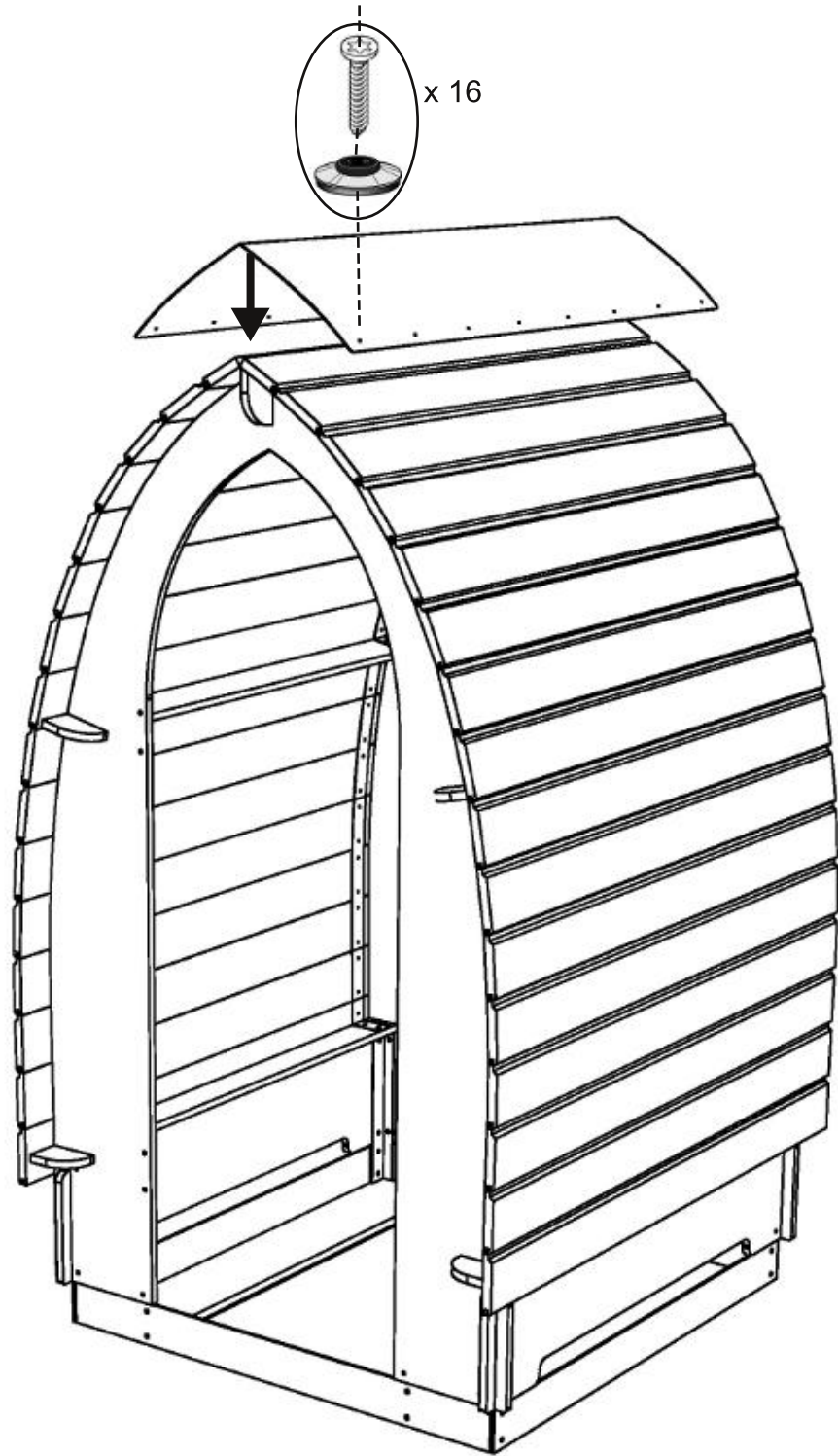
124


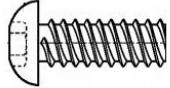

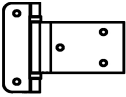

4

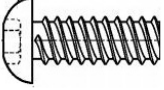




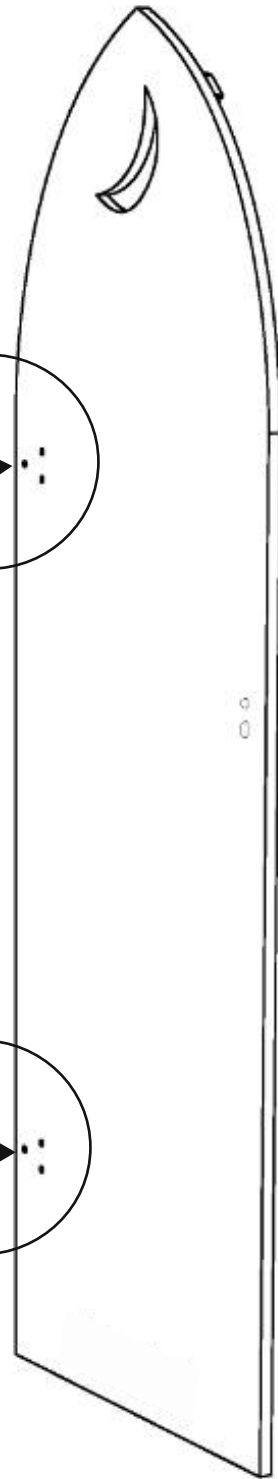
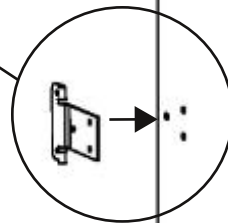
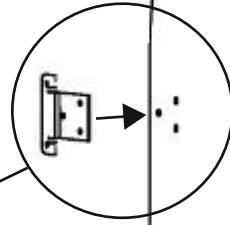
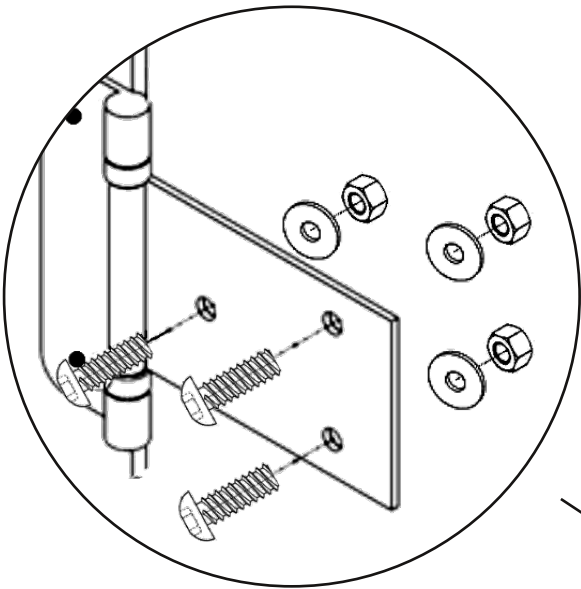
 x 124


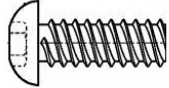

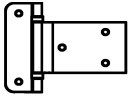

		16			
		16			
<b>5</b>					

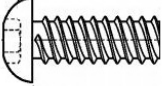

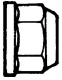


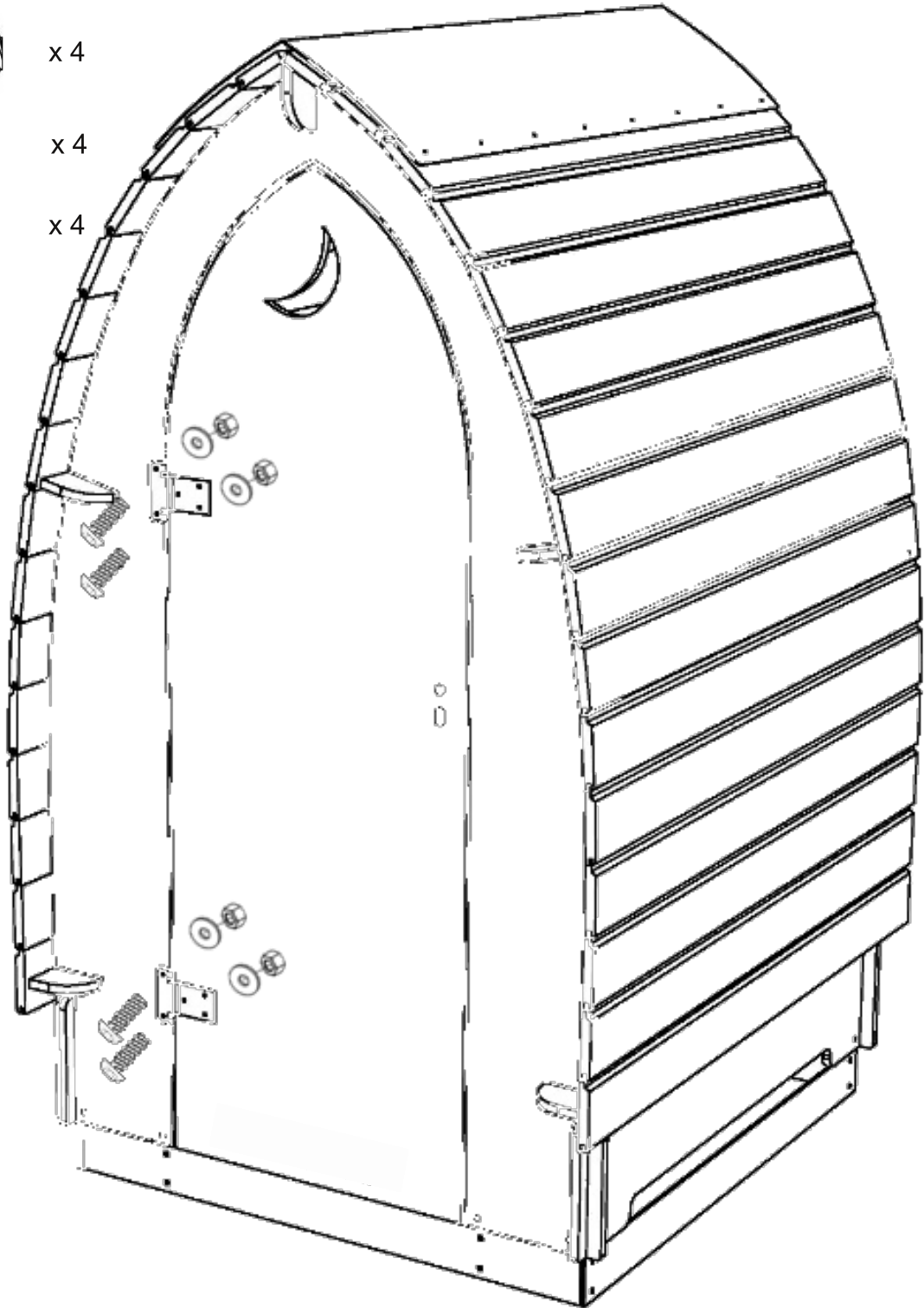
		x 10		x 10	
		x 2			
<b>6</b>		x 10			


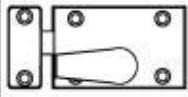

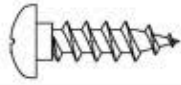
-  x 6
-  x 6
-  x 6

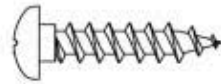
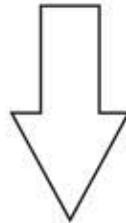
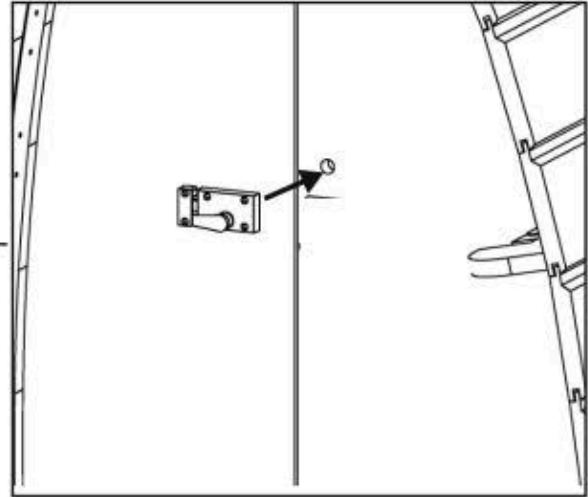
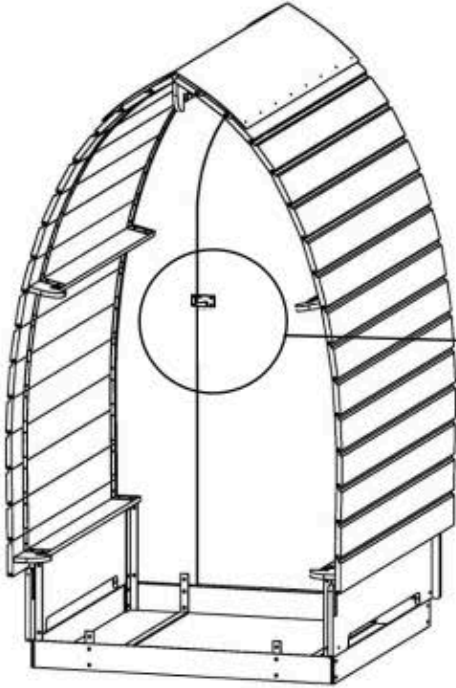


		x 10		x 10	
		x 2			
<b>6</b>		x 10			

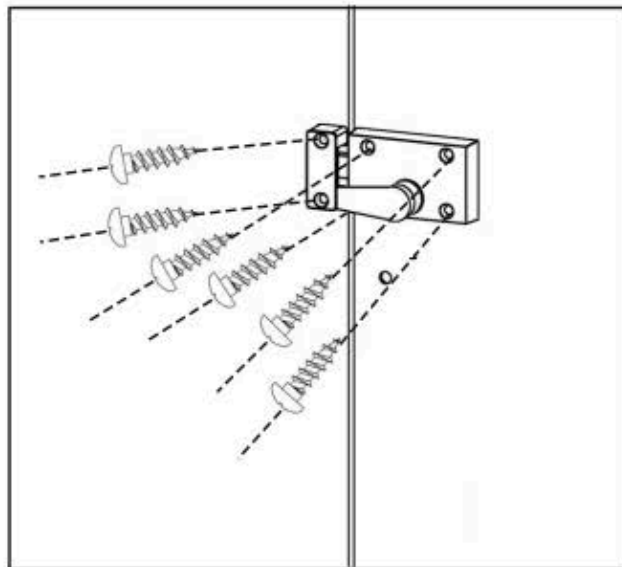
-  x 4
-  x 4
-  x 4


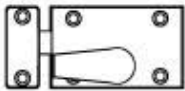

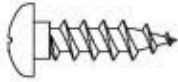


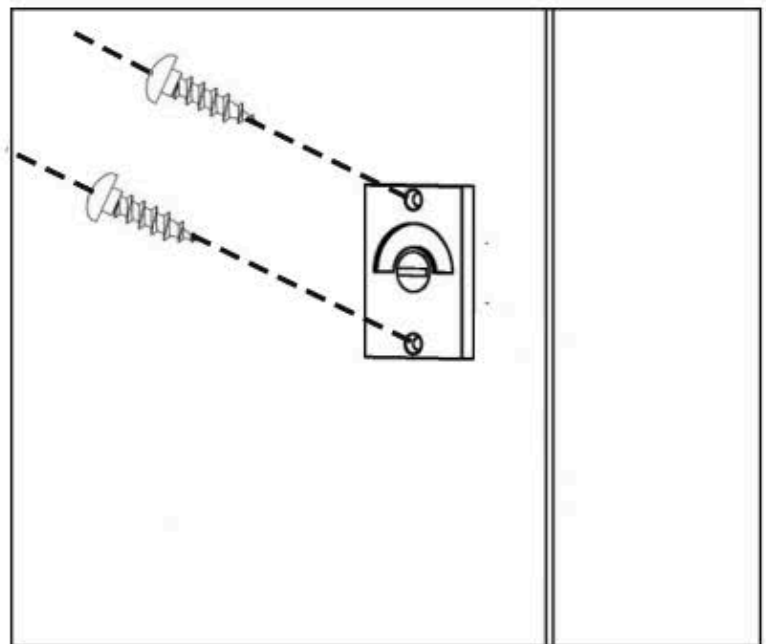
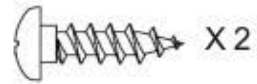
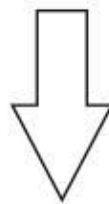
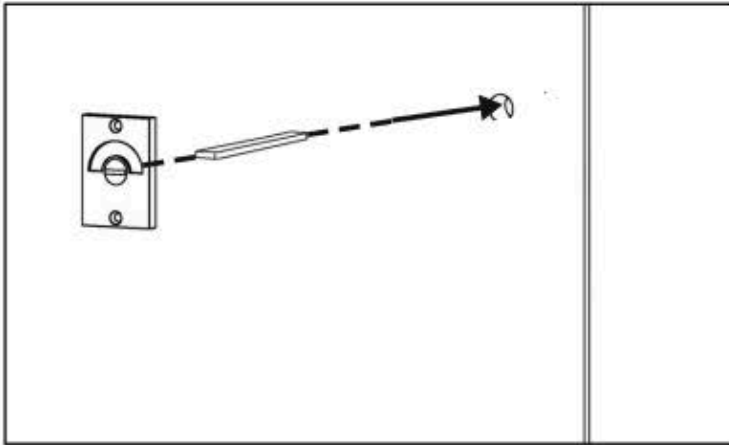
		X 1		X 1	
		X 1		X 1	
<b>7</b>		X 1		X 14	


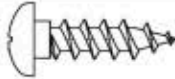




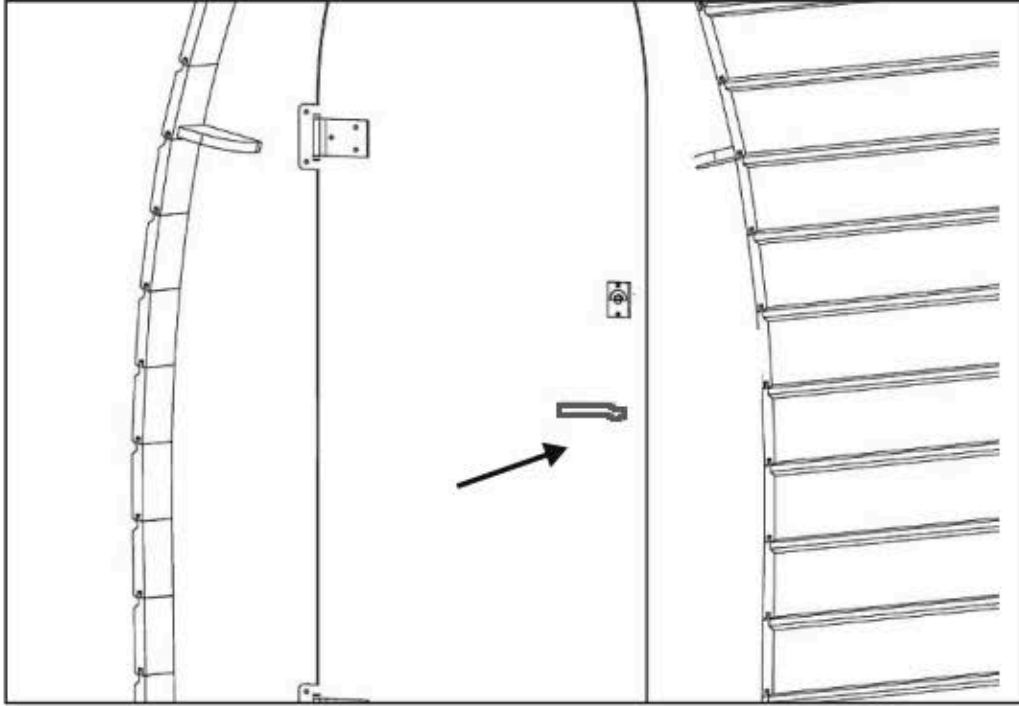
X 6


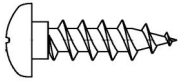



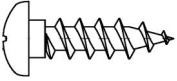
		X 1			
<b>7</b>		X 1		X 14	

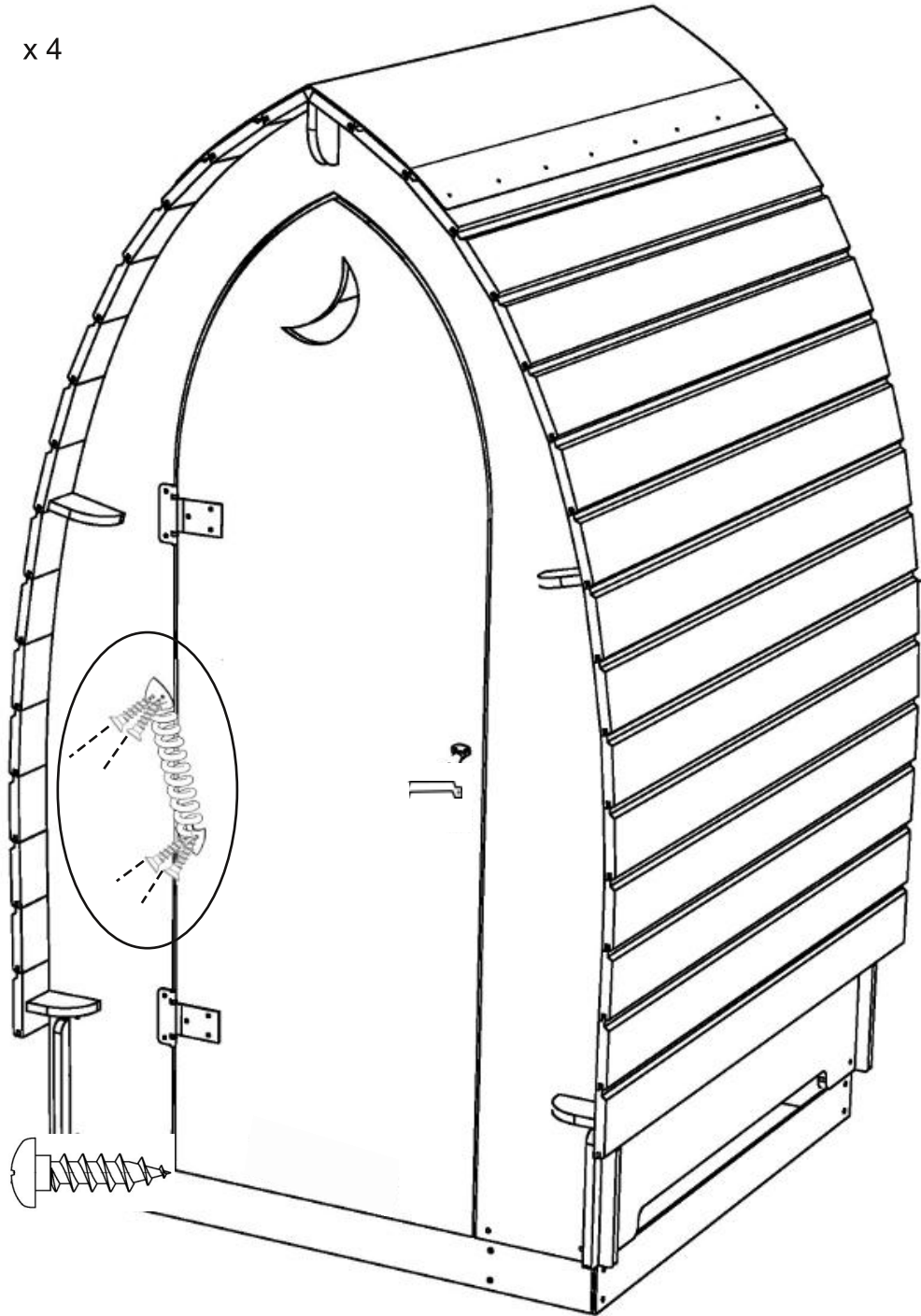


		X 2			
					
8					

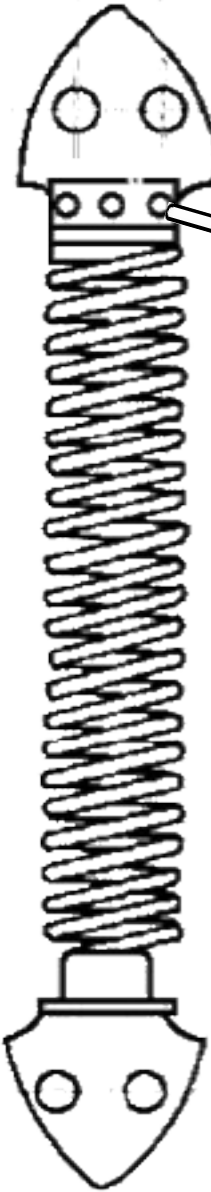


				x 4	
9		x 1			

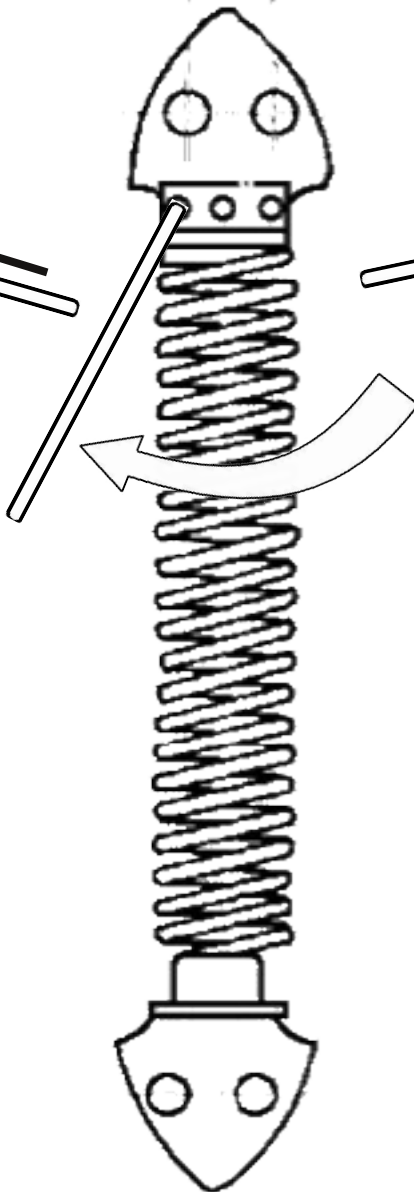
 x 4



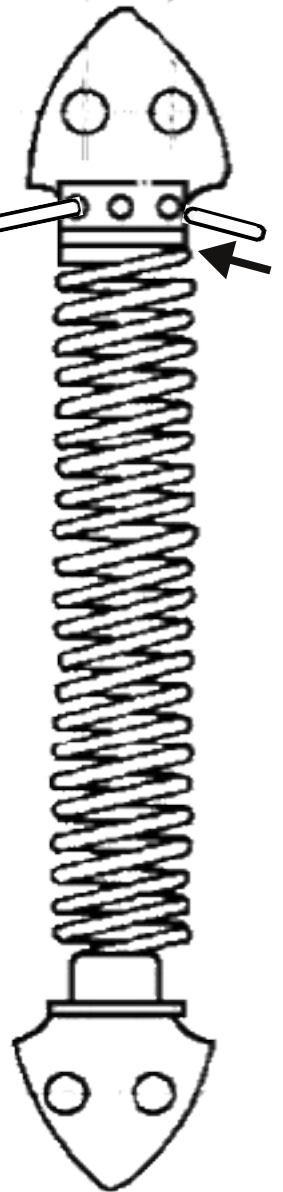
1



2



3



## Carton KL1\_stn\_08.02.04

	Qté
Sachet KL1-1	
Hex head bolt 8x20	16
Nut M8 Hu DIN 934	16
Sachet KL1-2	
Pan head screw 8x30	20
Nut M8 Hu DIN 934	20
Sachet KL1-3	
Pan head screw 8x25	16
Nut M8 Hu DIN 934	20
Hex head bolt 8x35	4
Sachet KL1-4	
Cylindrical head torx screw 4.5x20	124
Sachet KL1-5	
Cylindrical head torx screw 4.5x20	16
Sealing washer	16
Sachet KL1-6	
Hinge	2
Pan head screw 6x30	10
M6 L washer	10
M6 Locking nut	10
Sachet KL1-7	
Cylindrical head torx screw 4.5x16	14
Toilet indicator	1
Toilet indicator lock	1
Toilet indicator catch	1
Sachet KL1-8	
Door handle	1
Cylindrical head torx screw 4x16	2
Sachet KL1-9	
Door spring	1
Cylindrical head torx screw 4.5x20	4