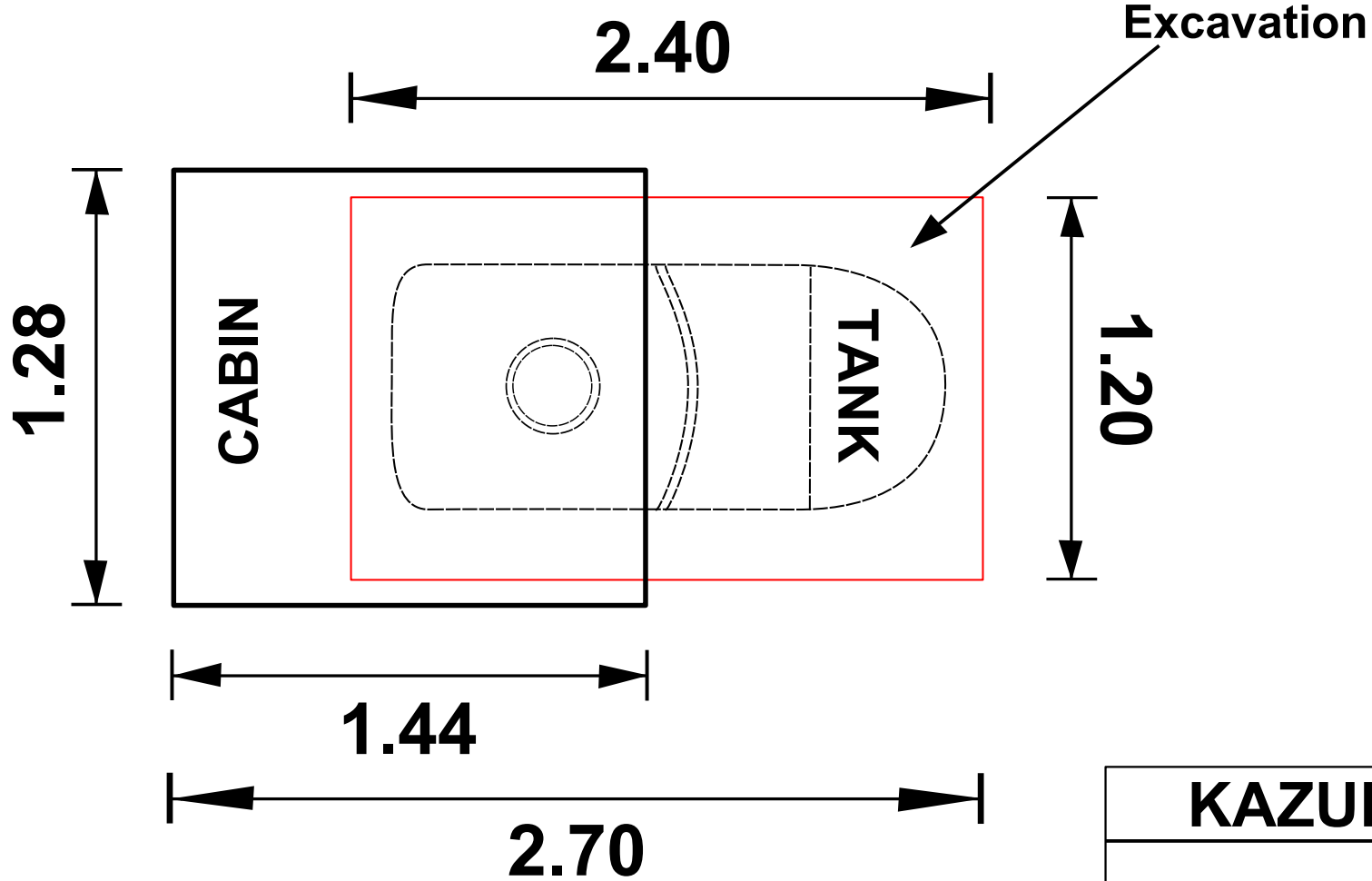


PLAN VIEW - KL1 STN

 Earthworks for Excavation



KAZUBA KL1	
	Dry Toilet
Page 2	Plan View